



Fastest
Moving
PARTS
CATALOG



**You already own the best truck body in the business.
Now it's Morgan's chance to provide you with the best
service in the business!**

If you require replacement parts or service, this manual offers all of the information you need to:

- identify components,
- initiate a replacement order by phone, or through our on-line order center,
- or locate one of our national authorized service centers.

If you have any questions at all, or would like additional information, we invite you to visit us on the web at **www.morgancorp.com**, or call our toll-free hotline for fast, friendly service!

Call 1-877-703-9415

**Morgan – Quality and Service
Before, During and After the Sale!**



WHO does Morgan Serve? Morgan is ready to serve any body(owner) in need of genuine replacement parts and quality service. Whether you've purchased from us in the past or not, we'll treat you like a valued customer; because chances are -- you will be!!



WHAT does Morgan offer that others don't?

In addition to delivering the best bodies in the business, Morgan offers phone, on-line and dealership-based support services, AND a growing network of authorized service centers to provide you with fast, friendly and full-service at locations across the country.

WHERE can I find service and support?

Morgan's network of authorized service centers are strategically positioned throughout the United States for easy access, and fast shipping.

WHY Contact Morgan for Replacement Parts?

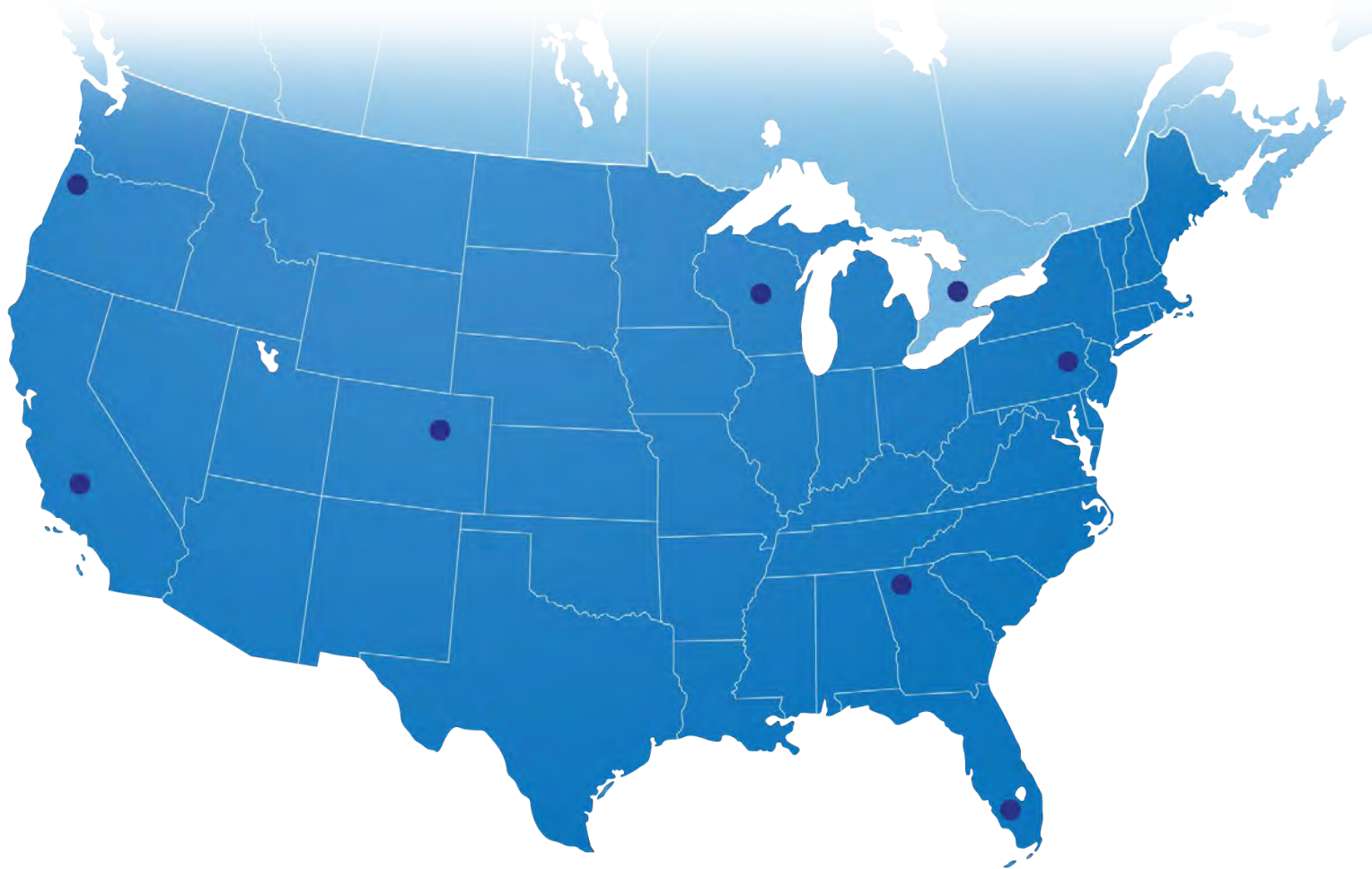
Morgan uses genuine OEM replacement parts to ensure the best performance for your vehicle.

WHEN your business is on the line, why take chances?!



Morgan Parts & Service, The Best in the Business!

Only Morgan Has Nationwide Locations To Serve Your Every Need!



Janesville, Wisconsin
3100 East Morgan Way
Janesville, WI 53546
877-703-9415
Option 5 then Option 1 for Parts

Lakeland, Florida
4434 Maine Avenue
Lakeland, FL 33801
877-703-9415
Option 3 then Option 1 for Parts

Morgantown, Pennsylvania
111 Morgan Way
Morgantown, PA 19543
877-703-9415
Option 4 then Option 1 for Parts

Denver, Colorado
4985 York Street
Denver, CO 80216
877-703-9415
Option 6 then Option 1 for Parts

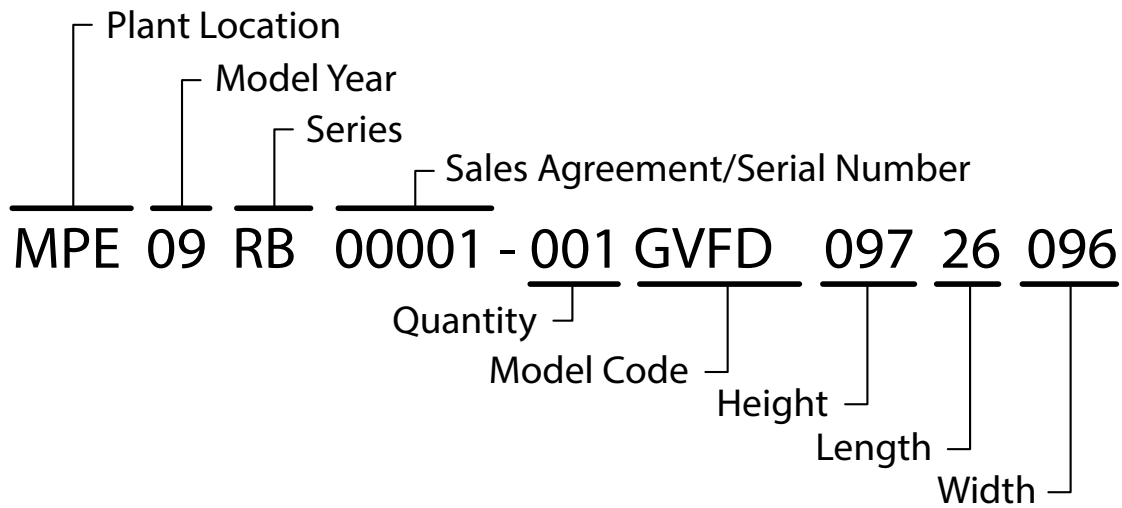
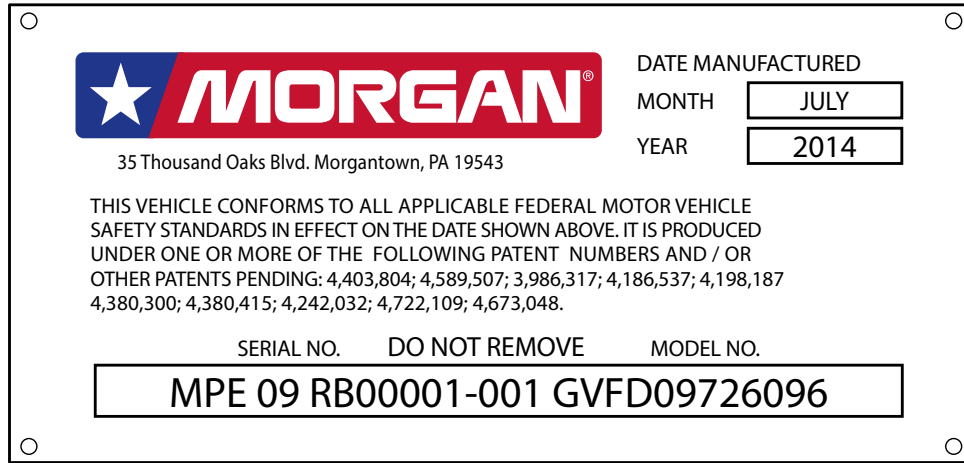
Rydal, Georgia
4120 Highway 411 NE
Rydal, GA 30171
877-703-9415
Option 2 then Option 1 for Parts

Bolton, Ontario
13289 Coleraine Drive
Bolton, Ontario L7E 3B6
800-698-9249
Option 9 then Option 1 for Parts

Portland, Oregon
4436 NE 158th Ave
Portland, OR 97230
877-703-9415
Option 7 then Option 1 for Parts

Riverside, California
7750 Lincoln Ave
Riverside, CA 92504
877-703-9415
Option 8 then Option 1 for Parts

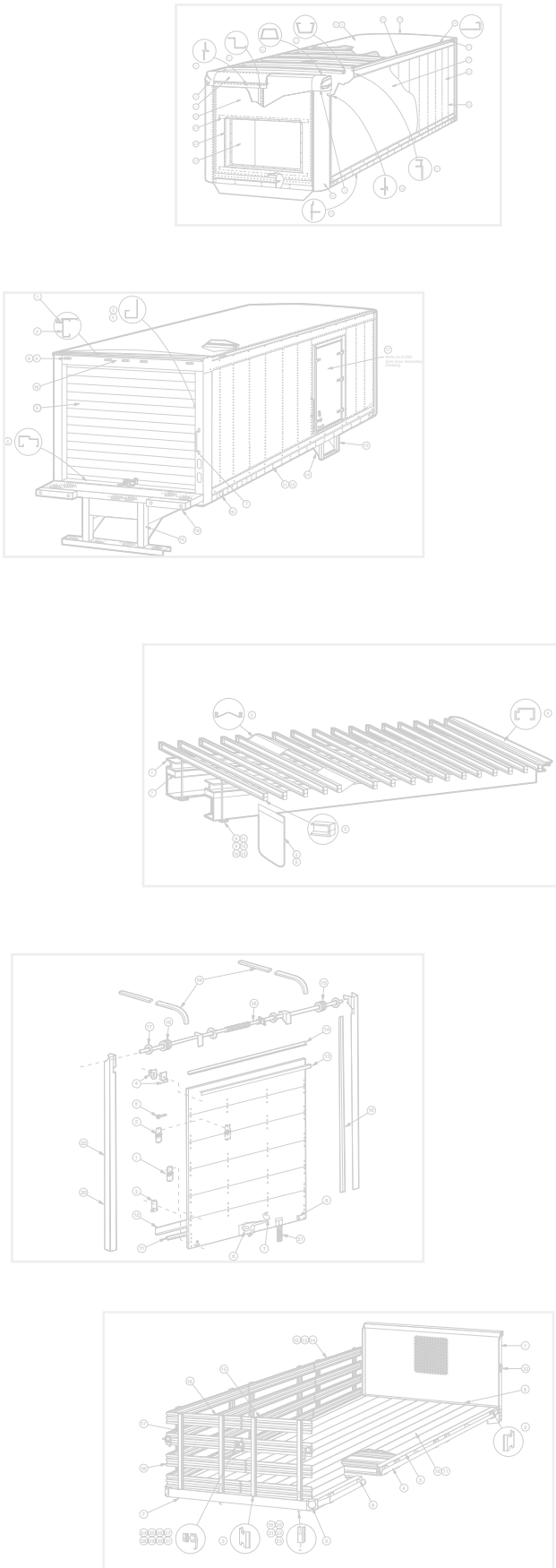
When ordering parts for Morgan Bodies you will find all the information you need on the Morgan Serial Plate. This plate is located on the roadside bottom rail approximately 6" from the front wall. Below is an illustration of this serial plate and instructions on how to read it.



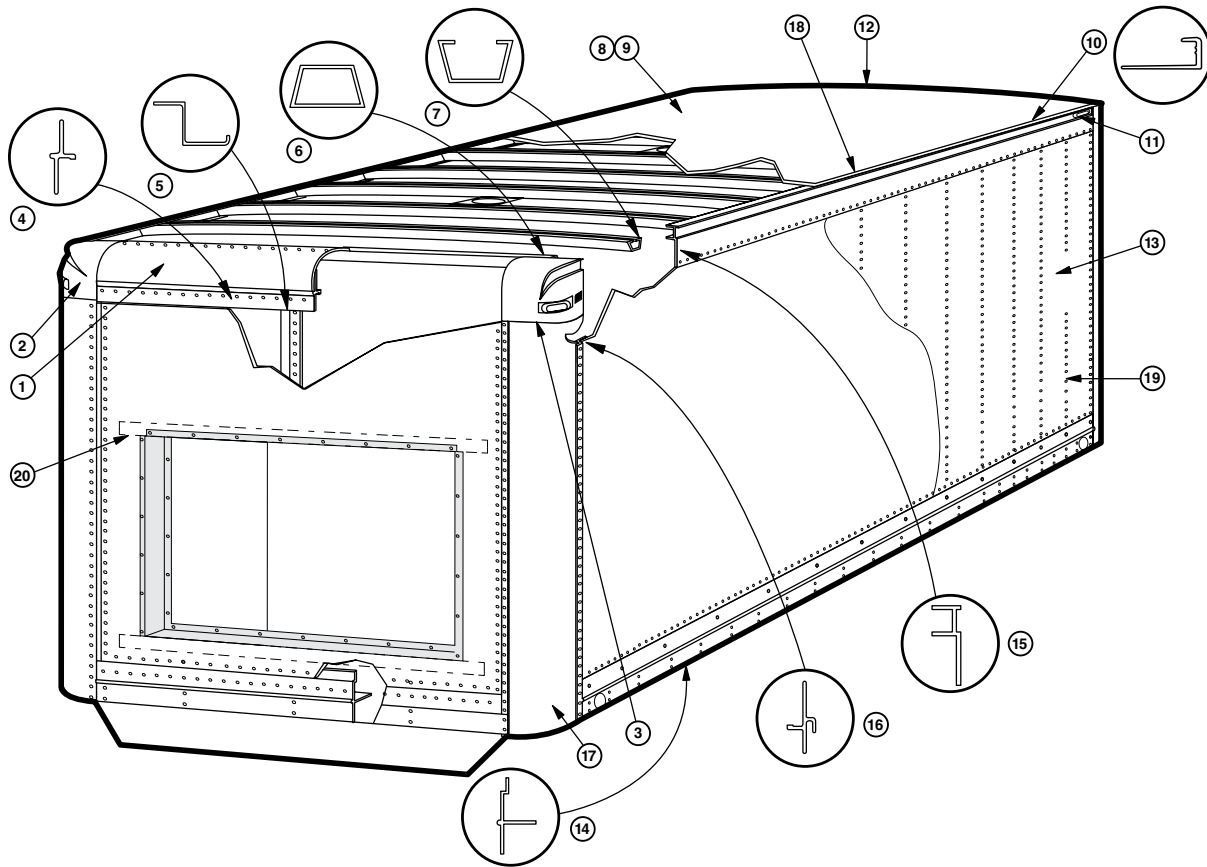
ABBREVIATIONS

C/S= Curb Side, R/S= Road Side, H/S= Hinge Side, L/S= Lock Side, PV=Parcel Van
FRP= Fiberglass Reinforced Panel, O/H= Overhead, S/D= Side Door, HDR= Header

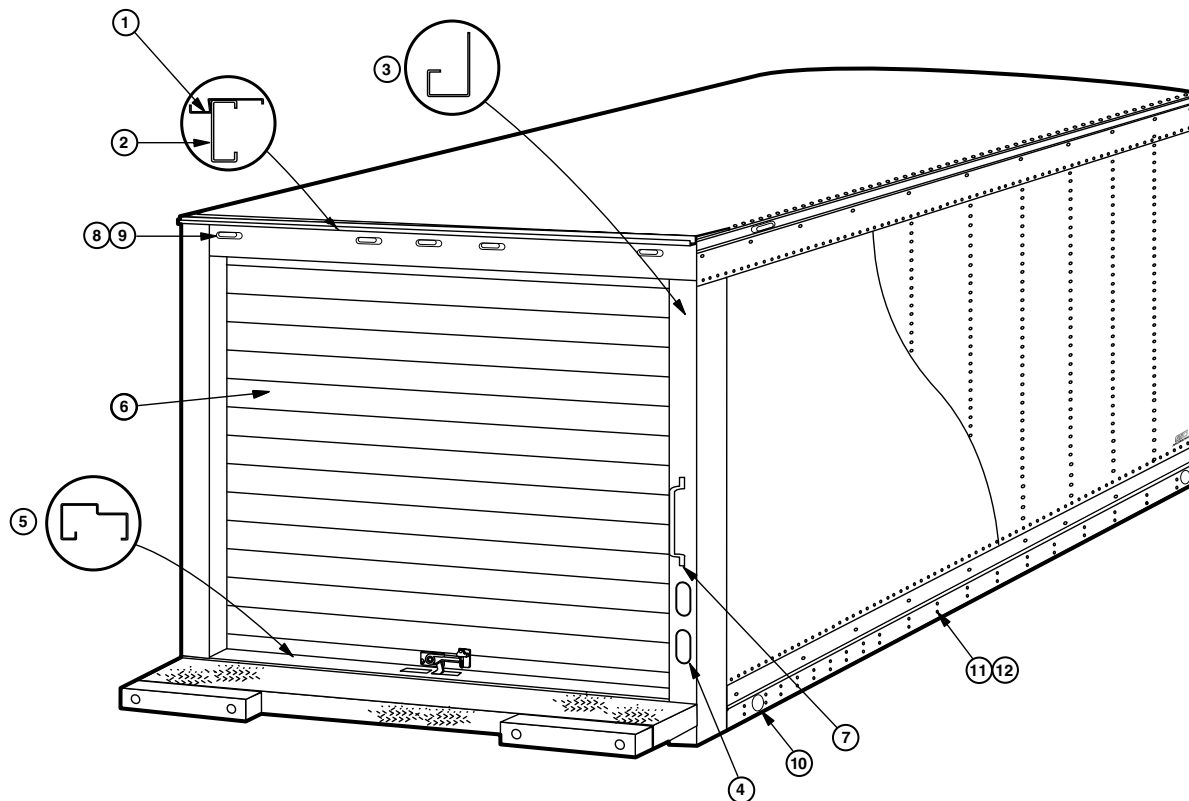
Specifications are subject to change without notice.
Photos and descriptions in this catalog may vary in comparison to actual models.



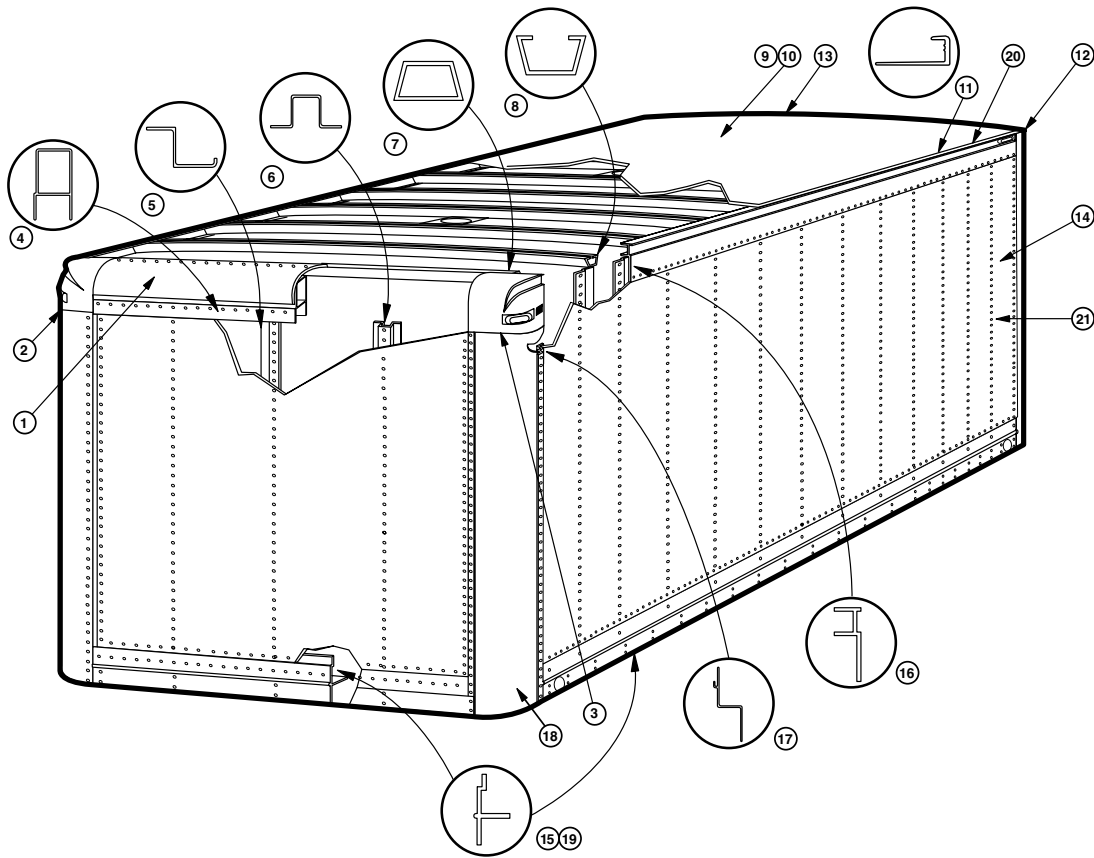
	PAGE #
PARCEL VAN – (PVSD) – FRONT VIEW	8
PARCEL VAN – (PVSD) – REAR VIEW	9
DRY FREIGHT – ALUMINUM (GVSD) – FRONT VIEW	10
DRY FREIGHT – ALUMINUM (GVSD) – REAR VIEW	11
DRY FREIGHT – FRP (GVFD) – FRONT VIEW	12
DRY FREIGHT – FRP (GVFD) – REAR VIEW	13
DRY FREIGHT – MORGANPLATE (GVMD) – FRONT VIEW	14
DRY FREIGHT – MORGANPLATE (GVMD) – REAR VIEW	15
PARCEL VAN/GVSD/GVFD – INTERIOR OPTIONS	16
GVSD/GVFD – SUBFRAME	17
DRY FREIGHT – (GVSD) – SIDE DOOR ASSEMBLY	18
DRY FREIGHT – FRP (GVFD) – SIDE DOOR ASSEMBLY	19
DRY FREIGHT – REAR – SWING DOOR ASSEMBLY	20
DRY FREIGHT – OVERHEAD – DOOR ASSEMBLY	21
REFRIGERATED BODY (GVSR) – REAR DOORS – 1998–PRESENT	22
REFRIGERATED BODY (GVSR) – SIDE DOOR – 1998–PRESENT	23
WALKRAMPS	24
REFRIGERATED BODY (GVSR) – FRONT VIEW	25
REFRIGERATED BODY (GVSR) – REAR VIEW	26
REFRIGERATED BODY (GVSR) – INTERIOR	27
REFRIGERATED BODY (GVSR) – SUBFRAME	28
GVSR REEFER REINFORCEMENT	28
STAKE BODY – HPA	29
STAKE BODY	30
STAKE RACK HARDWARE	31
CURTAINSIDER COMPONENTS	32
FASTENERS	35
SCREWS	35
FASTENERS	36
FASTENERS	37
FASTENERS	38
J BOLTS	38
FASTENERS	39
MONOBOLTS	39
RIVETS/POP RIVETS	39
THREADED INSERT	39
CARGO CONTROLS	40-44
BODY COMPONENTS – CROSS SECTION DETAILS	45
TOP RAILS	45
BODY COMPONENTS – CROSS SECTION DETAILS	46
BODY COMPONENTS – CROSS SECTION DETAILS	47
BODY TRIM COMPONENTS	47
CONNECTORS AND SIDE POSTS	47
BODY COMPONENTS – CROSS SECTION DETAILS	48
CONNECTORS AND SIDE POSTS	48
BODY COMPONENTS – CROSS SECTION DETAILS	49
DOOR POSTS AND HEADERS	49
BODY COMPONENTS – CROSS SECTION DETAILS	50
DOOR POSTS AND HEADERS, DOOR COMPONENTS	50
TAKLER - STAIRS, TOOLBOXES	51
TAKLER - SIDE GUARDS	52



Item No.	Description	Quantity	Part#	Notes
1	FRONT TOP RADIUS-ALUM	1	13500 (ALUM); 13584 (S/S)	
2	CURBSIDE CORNER CAP - CAST ALUM	1	006671	PRE 1998 BODIES
	CURBSIDE CORNER CAP - PLASTIC - KIT	1	6266418	2002 - PRESENT
3	ROADSIDE CORNER CAP - CAST ALUM	1	0066710	PRE 1998 BODIES
	ROADSIDE CORNER CAP - PLASTIC - KIT	1	6266518	2002-PRESENT
4	FRONT TOP CONNECTOR	1	1623002	
5	INTERIOR Z-POSTS - 107"	AS REQ'D	A0000119 (PVSD); 01913063 (PVFD-PVMD)	
6	FRONT ROOF BOW - 1" THICK	1	0192403 (96" WIDE); 0192404 (102" WIDE)	
7	INTERMEDIATE ROOF BOW - 1"	AS REQ'D	0190330 (96" WIDE); 0190340 (102" WIDE)	
8	TRANSLUCENT ROOF SHEET	AS REQ'D	0664438 (96" WIDE); 0664401 (102" WIDE)	
9	ALUM. ROOF SHEET	AS REQ'D	00602 (102" WIDE)	
10	J-MOLDING - 96"	AS REQ'D	003951	
11	REAR TOP RAIL CLOSURE CASTING	2	143906	
12	REAR ROOF CLOSURE STRIP	1	1438206 (96" WIDE); 143821 (102" WIDE)	
13	ALUM. WHITE SIDE PANELS - 49" Wide	AS REQ'D	20020 (93"); 20021 (105"); 20022 (120")	
14	BOTTOM RAIL	2	000785 (26")	
15	TOP RAIL	2	00015904 (325")	
	TOP RAIL	2	1470062 (301")	
16	CONNECTOR POSTS - 112.31"	4	00165 (PVSD); 001483 (PVFD-PVMD)	
17	CORNER RADIUS - ALUM.	2	00659 (97" BODY); 00660 (109" BODY)	
	CORNER RADIUS - S/S	2	01424 (109" BODY)	
18	ROOF RIVETS	AS REQ'D	05410 (FOR ALUM ROOF); 05412 (TRANS. ROOF)	
19	SIDE PANEL RIVETS	AS REQ'D	05410	
20	DOOR PNL	AS REQ'D	Call with part # & serial #	

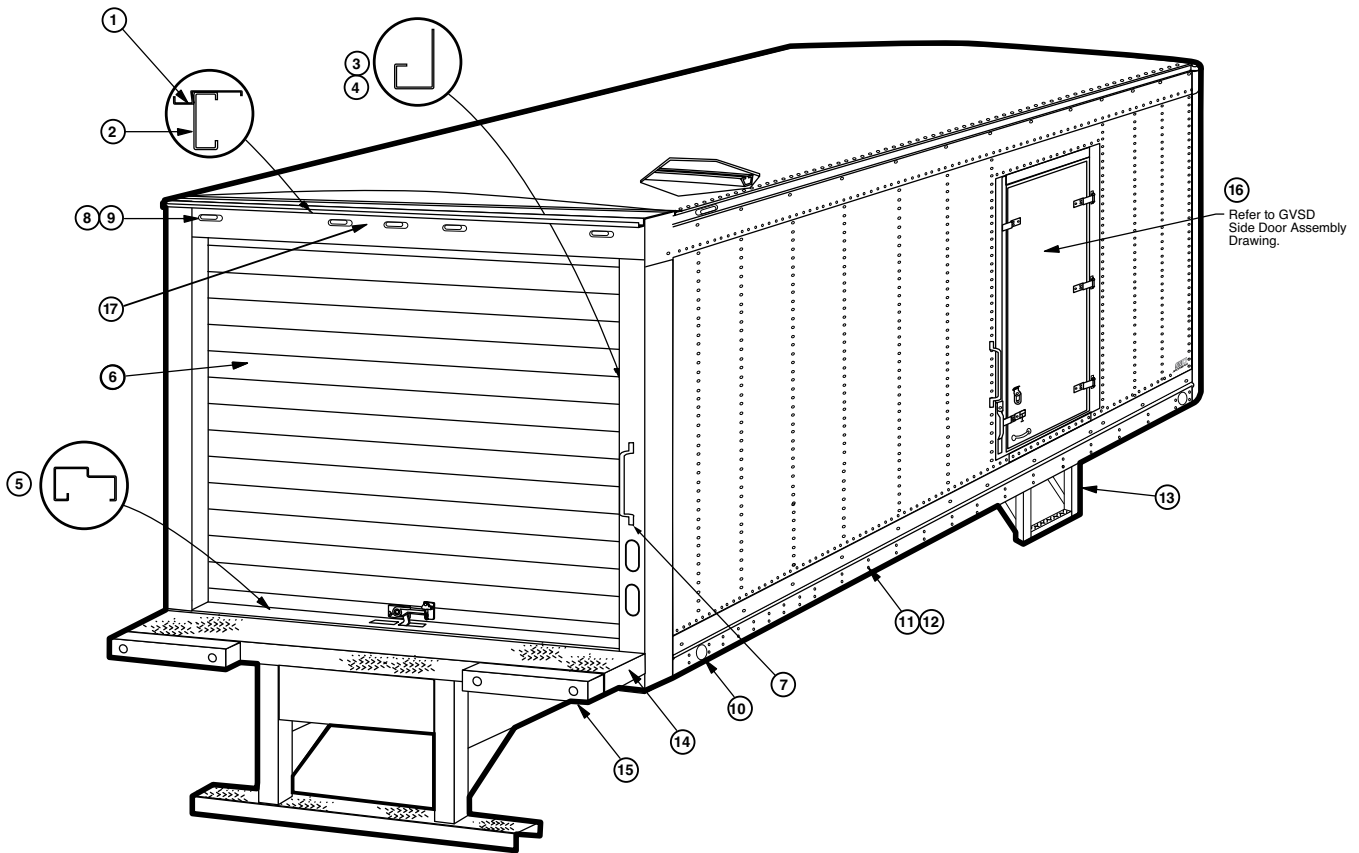


Item No.	Description	Quantity	Part No.	Notes
1	UPPER HEADER - 96"	1	1121692 (GALV.); 1121747 (S/S)	
2	LOWER HEADER - 88"	1	11216913 (GALV.); 11217181 (S/S)	
3	CORNER POST – GALVANIZED - 114.31"	2	1198653; 1198633278 (W/LIGHTS-C/S); 1198633279 (W/LIGHTS-R/S)	
4	CORNER POST – STAINLESS	2	1198704; 1198738 (W/LIGHTS-C/S); 1198739 (W/LIGHTS-R/S)	
5	C/P LIGHT REINFORCEMENT - 24"	2	10471822 (Double); 10471823 (Single)	
6	BOTTOM END PLATE	1	1077462 (O/H/ DOOR); 1077464 (PANEL DOORS)	
7	OVERHEAD DOOR	1	CALL WITH MODEL AND SERIAL NO.	
8	ALUMINUM GRAB HANDLE - 12"	AS REQ'D	087919	
9	LIGHTS		call with serial number	
10	LIGHT BASE		call with serial number	
11	REFLECTOR	AS REQ'D	040634 (AMBER); 040644 (RED)	
12	BOTTOM RAIL BOLT – 3/8 x 1"	AS REQ'D	051195	
	BOTTOM RAIL NUT – 3/8	AS REQ'D	05210	

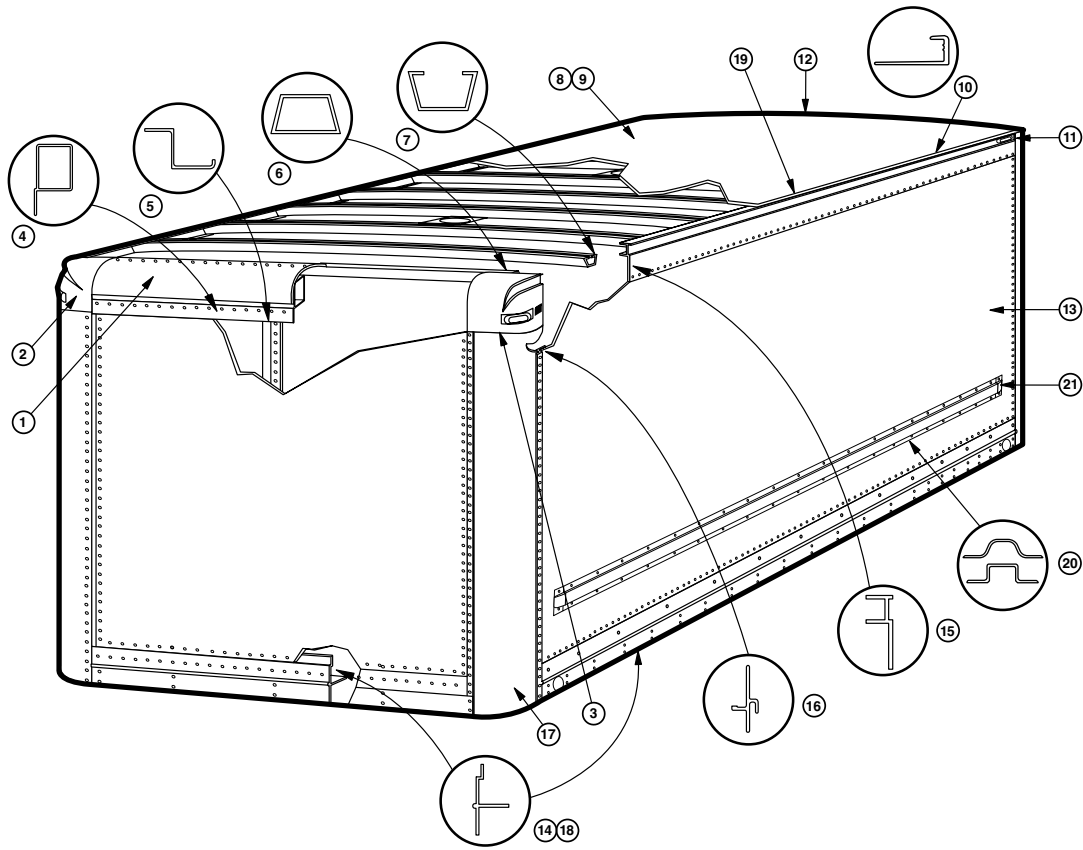


Item No.	Description	Quantity	Part#	Notes
1	FRONT TOP RADIUS - ALUM	1	13500 (96" WIDE); 13502 (102" WIDE)	
	FRONT TOP RADIUS - S/S	1	13584 (96" WIDE); 1358401 (102" WIDE)	
2	CURBSIDE CORNER CAP - CAST ALUM	1	006671	PRE 1998 BODIES
	CURBSIDE CORNER CAP - PLASTIC	1	6266418	9/2002-PRESENT
3	ROADSIDE CORNER CAP - CAST ALUM	1	0066710	PRE 1998 BODIES
	ROADSIDE CORNER CAP - PLASTIC	1	6266518	9-2002-PRESENT
4	FRONT TOP CONNECTOR	1	1620004 (96" WIDE); 1620005 (102" WIDE)	
5	INTERIOR Z-POSTS	AS REQ'D	14211 (ALUM) 109"; A0000119 (STEEL) 107"	
6	INTERIOR HAT POSTS	AS REQ'D	14225 (ALUM) 109"; A0000219 (STEEL) 107"	
7	FRONT ROOF BOW - 1" THICK	1	0192403 (96" WIDE); 0192404 (102" WIDE)	
8	INTERMEDIATE ROOF BOW - 1"	AS REQ'D	0190330 (96" WIDE); 0190340 (102" WIDE)	
9	TRANSLUCENT ROOF SHEET	AS REQ'D	0664438 (96" WIDE); 0664401 (102" WIDE)	
10	ALUM. ROOF SHEET	AS REQ'D	00602 (102" WIDE)	
11	J-MOLDING - 96"	AS REQ'D	003951	
12	REAR TOP RAIL CLOSURE	2	143906	
13	REAR ROOF CLOSURE STRIP	1	1438206 (96" WIDE); 143821 (102" WIDE)	
14	ALUM. WHITE SIDE PANELS - 49" WIDE	AS REQ'D	20020 (93"); 20021 (105"); 20022 (120")	
15	BOTTOM RAIL	2	000785 (26")	
16	TOP RAIL	2	1470062 (301")	
	TOP RAIL	2	00015904 (325")	
17	CONNECTOR POSTS - 112.31"	4	00165	
18	CORNER RADIUS-ALUM.	2	00659 (97" BODY); 00660 (109" BODY)	
	CORNER RADIUS-S/S	2	01424 (109" BODY)	
19	FRONT BOTTOM RAIL - 87"	1	0010151	
20	ROOF RIVETS	AS REQ'D	05410 (FOR ALUM ROOF); 05412 (TRANS. ROOF)	
21	SIDE PANEL RIVETS	AS REQ'D	05410	
	FRONT WALL REINFORCEMENT - SEE PAGE 16			

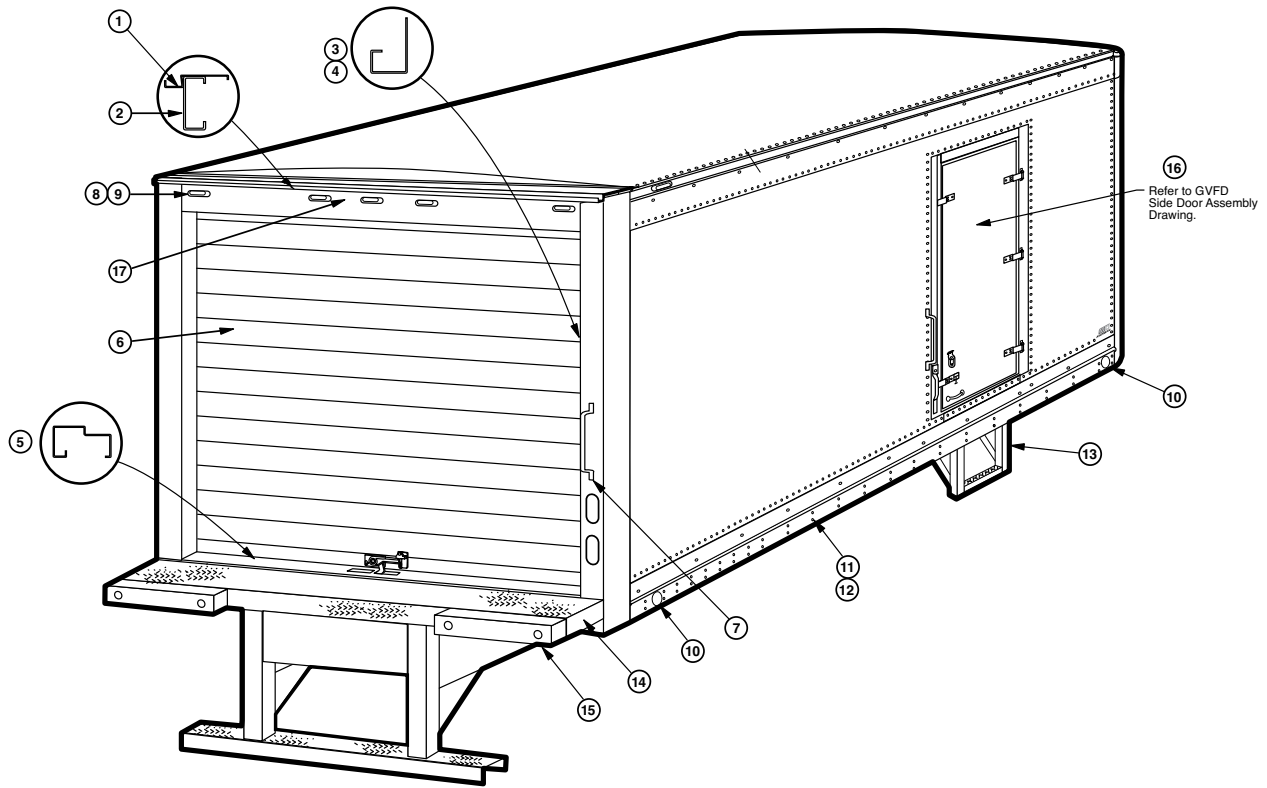
NOTE: ROOF MATERIAL ROLLS AVAILABLE UPON REQUEST



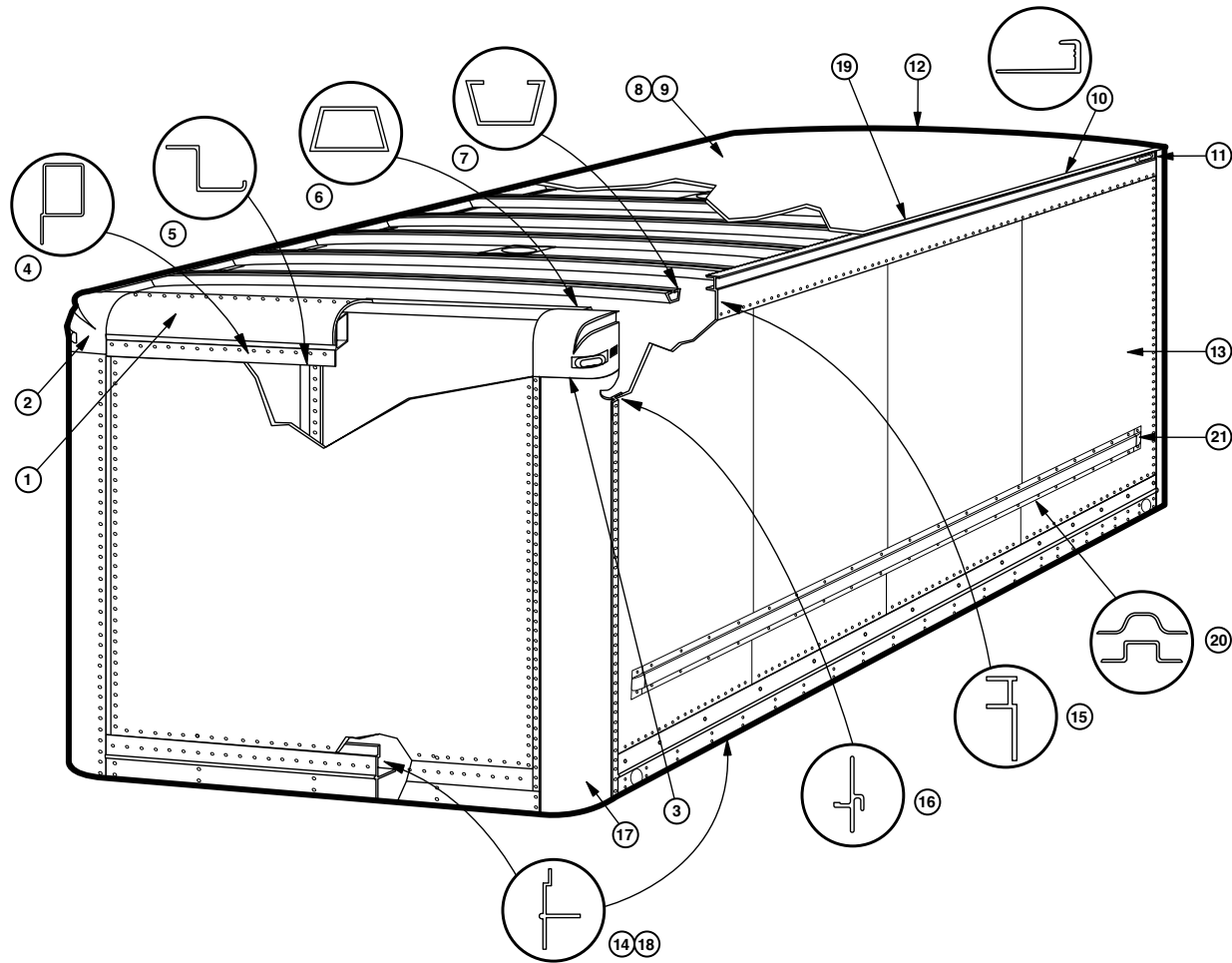
Item#	Description	Quantity	Part#	Notes
1	UPPER HEADER-GALV. UPPER HEADER-S/S	1	1121692 (96" WIDE); 1121823 (102" WIDE) 1121747 (96" WIDE); 1121748 (102" WIDE)	
2	LOWER HEADER-GALV LOWER HEADER-S/S	1	11216913 (96" WIDE); 1121813 (102" WIDE) 11217181 (96" WIDE); 1121714 (102" WIDE)	
3	CORNER POST-GALV. - 114.31" CORNER POST-S/S - 114.31"	2	1198653; 1198633278 (W/LIGHTS-C/S); 1198633279 (W/LIGHTS-R/S) 1198704; 1198738 (W/LIGHTS-C/S); 1198739 (W/LIGHTS-R/S)	
4	POST LIGHT REINFORCEMENT	2	10471822 (Double); 10471823 (Single)	
5	BOTTOM END PLATE-ROLL UP BOTTOM END PLATE-SWING	1	1076607 (96" WIDE); 1076611 (102" WIDE) 1076609 (96" WIDE); 1076611 (102" WIDE)	
6	OVERHEAD DOOR	1	CALL WITH MODEL AND SERIAL #	
7	ALUMINUM GRAB HANDLE	AS REQ'D	087919	
8	OVAL LIGHT LENSE		call with serial number	
9	LIGHT BASE		call with serial number	
10	REFLECTOR	AS REQ'D	040634 (AMBER); 040644 (RED)	
11	BOTTOM RAIL BOLT - 3/8 x 1"	AS REQ'D	051195	
12	BOTTOM RAIL NUT - 3/8	AS REQ'D	05210	
13	SIDE DOOR STEP	AS REQ'D	45600954	
	SIDE STEP BRACE		10121091	
14	DOCK BUMPER STEEL	1	1037002 (6"); 1037102 (10"); 1037202 (12");	
15	RUBBER BUMPER BLOCKS - D-SHAPE	AS REQ'D	07622 (4" x 4" x 12"); 076204 (3" x 3" x 24"); 0762204 (4" x 4" x 24"); 07621 (3" x 3.5" x 6")	
	- SQUARE			
16	SIDE DOOR	AS REQ'D	SEE DOOR SECTION	
17	WIRING HARNESS, LED 26'-28'	AS REQ'D	041949	



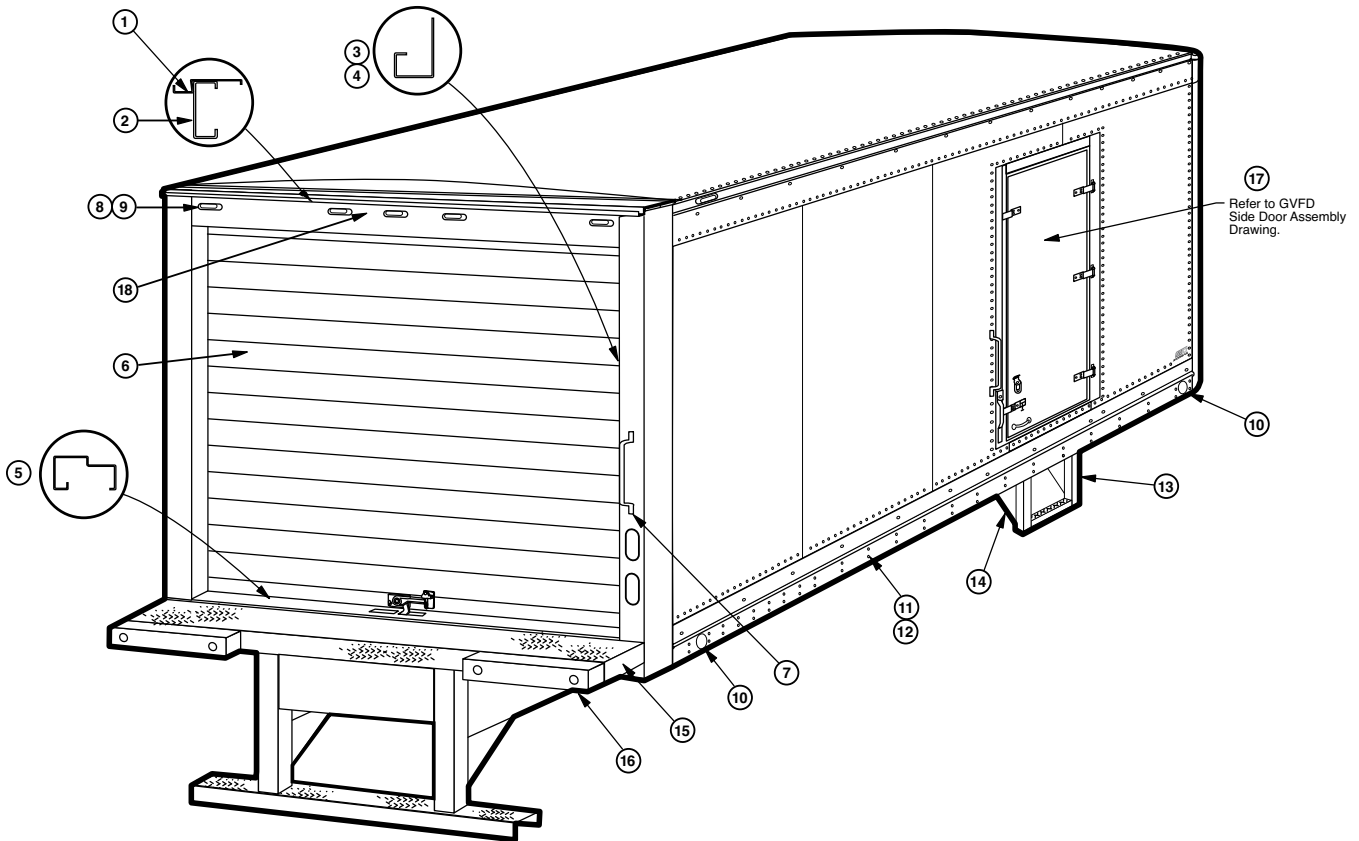
Item No.	Description	Quantity	Part#	Notes
1	FRONT TOP RADIUS-ALUM	1	13500 (96" WIDE); 13502 (102" WIDE)	
	FRONT TOP RADIUS-S/S	1	13584 (96" WIDE); 1358401 (102" WIDE)	
2	CURBSIDE CORNER CAP-CAST ALUM	1	006671	PRE 1998 BODIES
	CURBSIDE CORNER CAP-PLASTIC - KIT	1	6266418	9/2002-PRESENT
3	ROADSIDE CORNER CAP-CAST ALUM	1	0066710	PRE 1998 BODIES
	ROADSIDE CORNER CAP-PLASTIC - KIT	1	6266518	9-2002-PRESENT
4	FRONT TOP CONNECTOR	1	1623006 (96" wide) 1623007 (102"wide)	
5	INTERIOR Z-POSTS	AS REQ'D	01913063 (STEEL 107")	
6	FRONT ROOF BOW 1" THICK	1	0192403 (96" WIDE); 0192404 (102" WIDE)	1997-PRESENT
7	INTERMEDIATE ROOF BOW 1"	AS REQ'D	0190330 (96" WIDE); 0190340 (102" WIDE)	1997-PRESENT
8	TRANSLUCENT ROOF SHEET	AS REQ'D	0664438 (96" WIDE); 0664401 (102" WIDE)	
9	ALUM. ROOF SHEET	AS REQ'D	00602 (102" WIDE)	
10	J-MOLDING - 96"	AS REQ'D	003951	
11	REAR TOP RAIL CLOSURE	2	143906	
12	REAR ROOF CLOSURE STRIP	1	1438206 (96" WIDE); 143821 (102" WIDE)	
13	FRP PANELS	AS REQ'D	PER SERIAL NUMBER	
14	BOTTOM RAIL	2	000785 (26')	
			14038205 (26') w/o Holes	
15	TOP RAIL	2	00033901 (325") w/o Holes	
	TOP RAIL	2	1470053 (301") w/o Holes	
16	CONNECTOR POSTS - 112.31"	4	001483	
17	CORNER RADIUS-ALUM.	2	00659 (92" BODY); 00660 (104" BODY)	
	CORNER RADIUS-S/S	2	01424 (104" BODY)	
18	FRONT BOTTOM RAIL - 87"	1	0010151	
19	ROOF RIVETS	AS REQ'D	05410 (ALUM. ROOF); 05412 (TRANS. ROOF)	
20	RUB RAIL	AS REQ'D	0045597 (ROUND STYLE); 004554 (SQUARE STYLE)	
21	RUB RAIL END CAP	AS REQ'D	006972 (ROUND STYLE); 00697 (SQUARE STYLE)	
	FRONT WALL REINFORCEMENT - SEE PAGE 16			



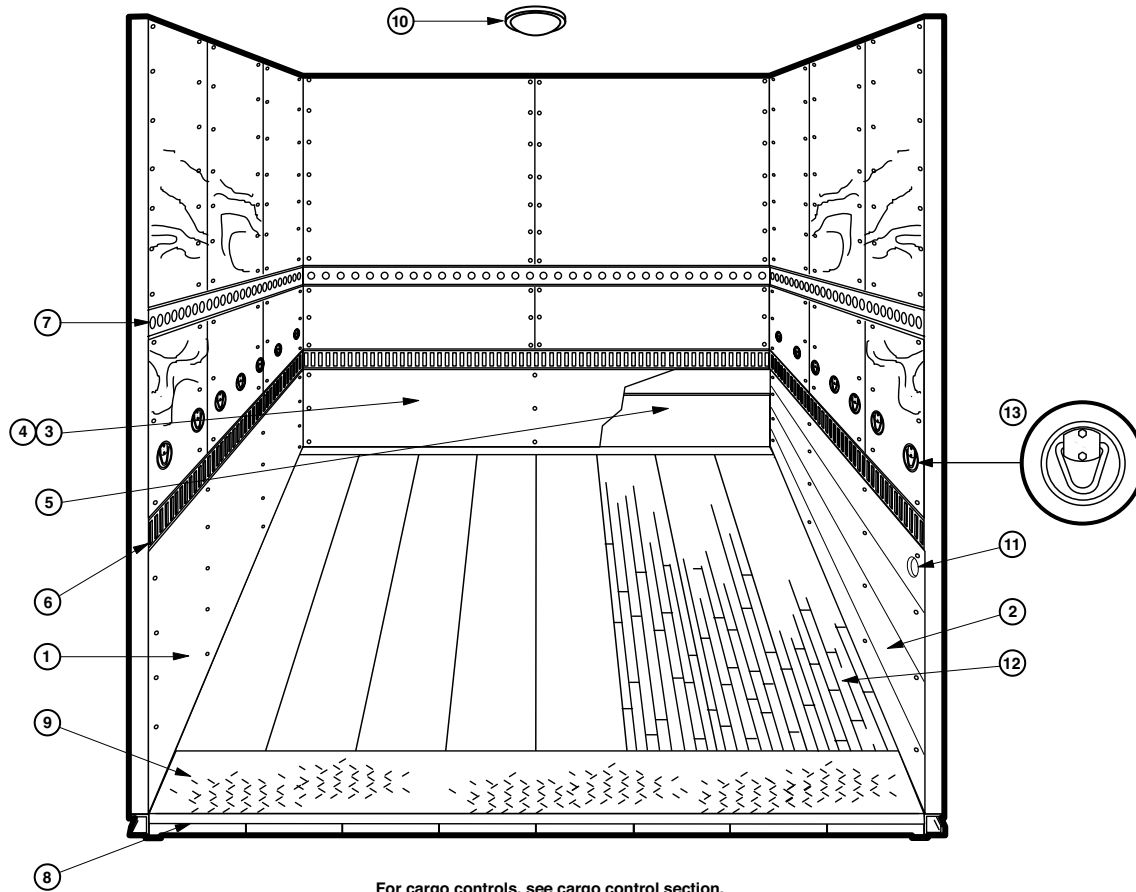
Item NO.	Description	Quantity	Part#	Notes
1	UPPER HEADER-GALV. UPPER HEADER-S/S	1	1121692 (96" WIDE); 1121823 (102" WIDE) 1121747 (96" WIDE); 1121748 (102" WIDE)	
2	LOWER HEADER-GALV LOWER HEADER-S/S	1	11216913 (96" WIDE); 1121813 (102" WIDE) 1121718 (96" WIDE); 1121719 (102" WIDE)	
3	CORNER POST-GALV. - 114.31" CORNER POST-S/S - 114.31"	2	1198653; 1198633278 (W/LIGHTS-C/S); 1198633279 (W/LIGHTS-R/S) 1198704; 1198738 (W/LIGHTS-C/S); 1198739 (W/LIGHTS-R/S)	
4	POST LIGHT REINFORCEMENT	2	10471822 (Double); 10471823 (Single)	
5	BOTTOM END PLATE-ROLL UP BOTTOM END PLATE-SWING	1	1076607 (96" WIDE); 1076612 (102" WIDE) 1076609 (96" WIDE); 1076611 (102" WIDE)	
6	OVERHEAD DOOR	1	CALL WITH MODEL AND SERIAL #	
7	ALUMINUM GRAB HANDLE	AS REQ'D	087919	
8	LIGHTS	AS REQ'D	call with serial #	
9	LIGHT BASE	AS REQ'D	call with serial #	
10	REFLECTOR	AS REQ'D	040634 (AMBER); 040644 (RED)	
11	BOTTOM RAIL BOLT	AS REQ'D	051195	
12	BOTTOM RAIL NUT	AS REQ'D	05210	
13	SIDE DOOR STEP	AS REQ'D	45600954	
	SIDE STEP BRACE	AS REQ'D	10121091	
14	DOCK BUMPER STEEL	1	1037002 (6"); 1037102 (10"); 1037202 (12");	
15	RUBBER BUMPER BLOCKS - D-SHAPE - SQUARE	AS REQ'D	07622 (4" x 4" x 12"); 076264 (3" x 3" x 24"); 0762204 (4" x 4" x 24"); 07621 (3" x 3.5" x 6")	
16	SIDE DOOR	AS REQ'D	SEE DOOR SECTION	
17	WIRING HARNESS LED LIGHTING	AS REQ'D	041949 (26' - 28')	



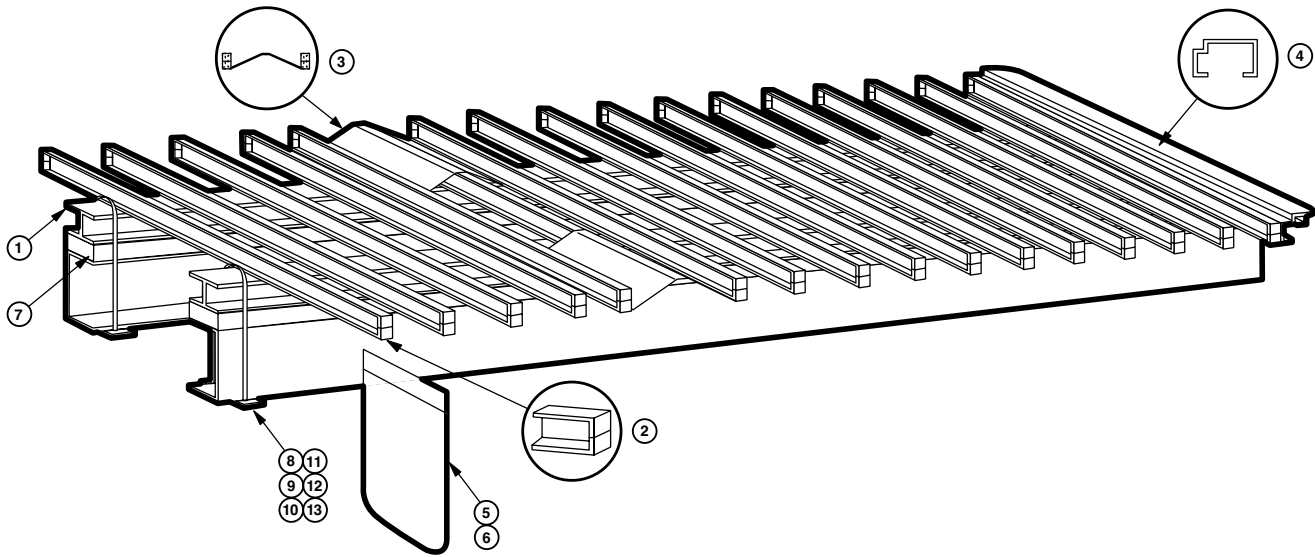
Item No.	Description	Quantity	Part#	Notes
1	FRONT TOP RADIUS-ALUM	1	13500 (96" WIDE); 13502 (102" WIDE)	
	FRONT TOP RADIUS-S/S	1	13584 (96" WIDE); 1358401 (102" WIDE)	
2	CURBSIDE CORNER CAP-PLASTIC - KIT	1	6266418	
3	ROADSIDE CORNER CAP-PLASTIC - KIT	1	6266518	
4	FRONT TOP CONNECTOR	1	1623006 (96" wide) 1623007 (102"wide)	
5	INTERIOR Z-POSTS	AS REQ'D	01913063 (STEEL 107")	
6	FRONT ROOF BOW 1" THICK	1	0192403 (96" WIDE); 0192404 (102" WIDE)	
7	INTERMEDIATE ROOF BOW 1"	AS REQ'D	0190330 (96" WIDE); 0190340 (102" WIDE)	
8	TRANSLUCENT ROOF SHEET	AS REQ'D	0664438 (96" WIDE); 0664401 (102" WIDE)	
9	ALUM. ROOF SHEET	AS REQ'D	00602 (102" WIDE)	
10	J-MOLDING - 96"	AS REQ'D	003951	
11	REAR TOP RAIL CLOSURE	2	143906	
12	REAR ROOF CLOSURE STRIP	1	1438206 (96" WIDE); 143821 (102" WIDE)	
13	MORGANPLATE PANELS - WHITE - NO DOOR	AS REQ'D	06990279 (112" HIGH)	
	MORGANPLATE PANELS - YELLOW - NO DOOR	AS REQ'D	06990278 (102" HIGH)	
14	BOTTOM RAIL		14038205 (26") w/o Holes	
15	TOP RAIL	2	1470053 (301"); 00033901 (325") w/o Holes	
16	CONNECTOR POSTS - 112.31"	4	001483	
17	CORNER RADIUS-ALUM.	2	00659 (92" BODY); 00660 (104" BODY)	
	CORNER RADIUS-S/S	2	01424 (104" BODY)	
18	FRONT BOTTOM RAIL - 87"	1	0010151	
19	ROOF RIVETS	AS REQ'D	05410 (ALUM. ROOF); 05412 (TRANS. ROOF)	
20	RUB RAIL	AS REQ'D	0045597 (ROUND STYLE); 004554 (SQUARE STYLE)	
21	RUB RAIL END CAP	AS REQ'D	006972 (ROUND STYLE); 00697 (SQUARE STYLE)	
	FRONT WALL REINFORCEMENT - SEE PAGE 16			



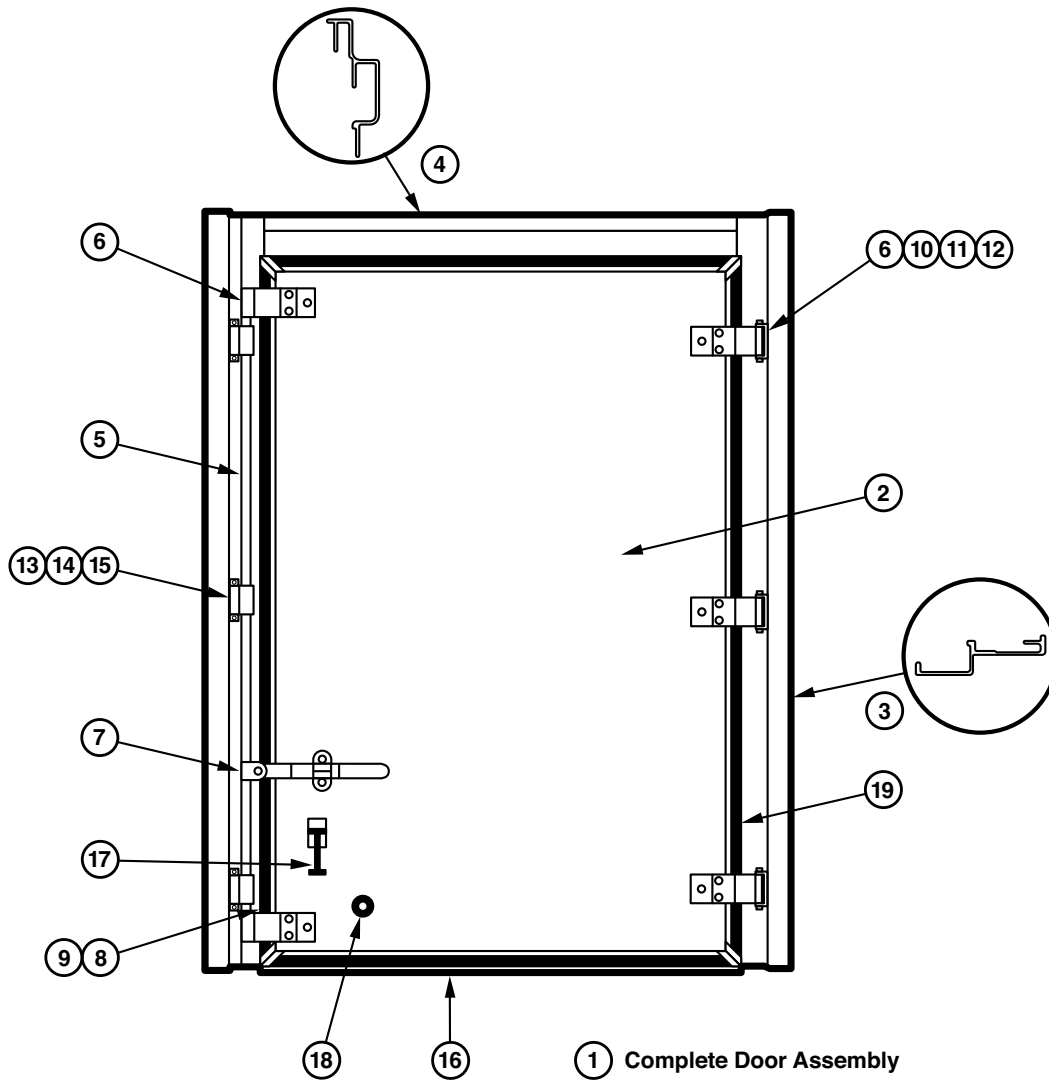
Item NO.	Description	Quantity	Part#	Notes
1	UPPER HEADER-GALV.	1	1121692 (96" WIDE); 1121823 (102" WIDE)	
	UPPER HEADER-S/S	1	1121747 (96" WIDE); 1121748 (102" WIDE)	
2	LOWER HEADER-GALV	1	11216913 (96" WIDE); 1121813 (102" WIDE)	
	LOWER HEADER-S/S	1	1121718 (96" WIDE); 1121719 (102" WIDE)	
3	CORNER POST-GALV. - 114.31"	2	1198653; 1198633278 (W/LIGHTS-C/S); 1198633279 (W/LIGHTS-R/S)	
	CORNER POST-S/S - 114.31"	2	1198704; 1198738 (W/LIGHTS-C/S); 1198739 (W/LIGHTS-R/S)	
4	POST LIGHT REINFORCEMENT	2	10471822 - DOUBLE 10471823 - SINGLE	
5	BOTTOM END PLATE-ROLL UP	1	1076607 (96" WIDE); 1076612 (102" WIDE)	
	BOTTOM END PLATE-SWING	1	1076609 (96" WIDE); 1076611 (102" WIDE)	
6	OVERHEAD DOOR	1	CALL WITH MODEL AND SERIAL #	
7	ALUMINUM GRAB HANDLE	AS REQ'D	087919	
8	LIGHTS	AS REQ'D	call with serial #	
9	LIGHT BASE	AS REQ'D	call with serial #	
10	REFLECTOR	AS REQ'D	040634 (AMBER); 040644 (RED)	
11	BOTTOM RAIL BOLT	AS REQ'D	051195	
12	BOTTOM RAIL NUT	AS REQ'D	05210	
13	SIDE DOOR STEP	AS REQ'D	45600954	
14	SIDE STEP BRACE	AS REQ'D	10121091	
15	DOCK BUMPER STEEL	1	1037002 (6"); 1037102 (10"); 1037202 (12");	
16	RUBBER BUMPER BLOCKS - D-SHAPE	AS REQ'D	07622 (4" x 4" x 12");	
			076264 (3" x 3" x 24"); 0762204 (4" x 4" x 24");	
	- SQUARE		07621 (3" x 3.5" x 6")	
17	SIDE DOOR	AS REQ'D	SEE DOOR SECTION	
18	WIRING HARNESS LED LIGHTING	AS REQ'D	041949 (26' - 28')	



Item No.	Description	Quantity	Part#	Notes
1	GLASSBOARD SCUFF - 24" - FT	AS REQ'D	066021	
2	WOOD SCUFF - 5.25" - FT	AS REQ'D	0219827 (97.38"); 0219825 (123.44")	
3	STEEL SCUFF - SMOOTH 14 GA 16" x 96"	AS REQ'D	01330	
4	CORRUGATED SCUFF	AS REQ'D	019445 (12" x 264") 019496 (18" x 278")	
5	FRONT END REINFORCEMENT	1	1221784 (96" WIDE); 1221785 (102" WIDE)	
6	E-TRACK (120")	AS REQ'D	079752	
7	F-TRACK (120")	AS REQ'D	079804	
8	REAR THRESHOLD	1	1263000 (96" WIDE); 1263011 (102" WIDE)	
9	REAR THRESHOLD 24" STEEL	1	126227044 (96" WIDE); 12267043 (102" WIDE)	
10	INTERIOR DOME LIGHT	AS REQ'D	04050	
11	TOGGLE SWITCH	AS REQ'D	04410	
	TOGGLE SWITCH - 3 WAY	AS REQ'D	044113	
12	FLOOR BOARDS		CALL WITH MODEL AND SERIAL NO.	
13	TIE RINGS	AS REQ'D	07961 (W/GROMMET)	
	CARGO CONTROLS	AS REQ'D	SEE CARGO CONTROL SECTION	
	FRONT CORNER REINFORCEMENT BRACKET ANGLE	2	12325 (GVFD); 12326 (GVSD) 10175 (GVSD); 1017510 (GVMD)	
	APITONG SLAT - each		0219864 (103.95"); 0219865 (123.44")	
	APITONG SPLICE PLATE		106752	



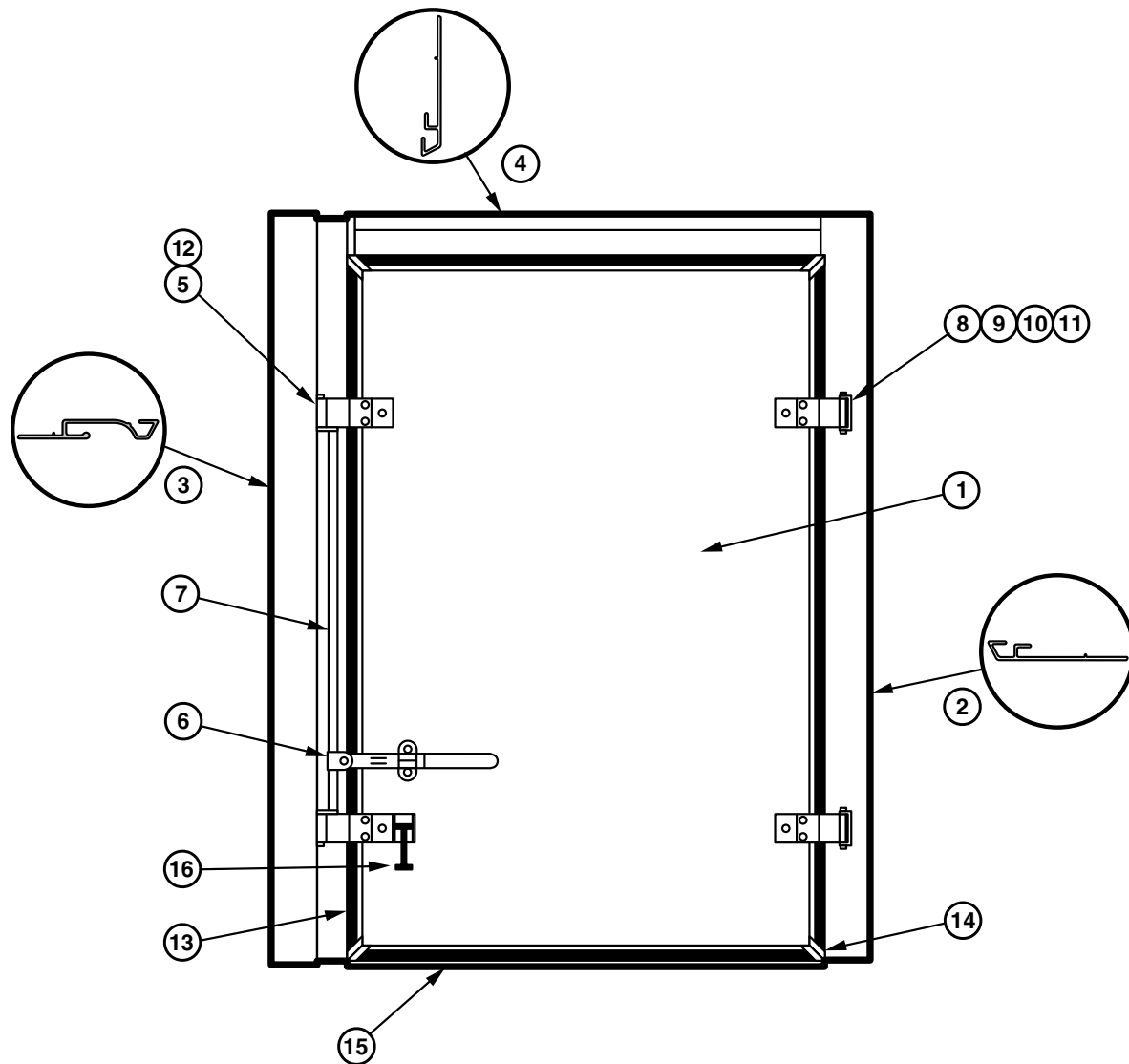
Item#	Description	Quantity	Part#	Notes
1	LONG RAILS	2	MODEL & SERIAL # REQ'D	
2	CROSSMEMBERS	AS REQ'D	010021 (96" WIDE); 010025 (102" WIDE)	
3	WHEELPANS	2	128315 (96" WIDE); 128316 (102" WIDE)	
4	FRONT END PLATES	1	1075910 (96" WIDE); 1075911 (102" WIDE)	
5	MUDFLAP BRACKET	2	102901; 102931	
6	MUDFLAPS - 24" x 30"	2	0773002 (MORGAN); 077321 (PLAIN)	
	MUDFLAPS - 24" x 36"	2	0773102 (MORGAN); 07732 (PLAIN)	
7	SLEEPER SLAT - 16"	AS REQ'D	021460 (3/4"); 0214610 (1-3/4"); 0214630 (2.5")	
8	U-BOLTS	AS REQ'D	0560101 (12"); 0560201 (14"); 0560301 (16"); 0560401 (18") 0560501 (20"); 0560601 (22"); 0560701 (24")	
9	U-BOLT TIE PLATES	AS REQ'D	101427	
10	U-BOLT FASTENERS	AS REQ'D	052232 (NUT); 05261 (WASHER)	
11	J-BOLT TOP BRACKET	AS REQ'D	05660	
12	J-BOLT BOTTOM BRACKET	AS REQ'D	0564001 (4"); 0564101 (6")	
13	J-BOLTS	AS REQ'D	0565201 (18")	



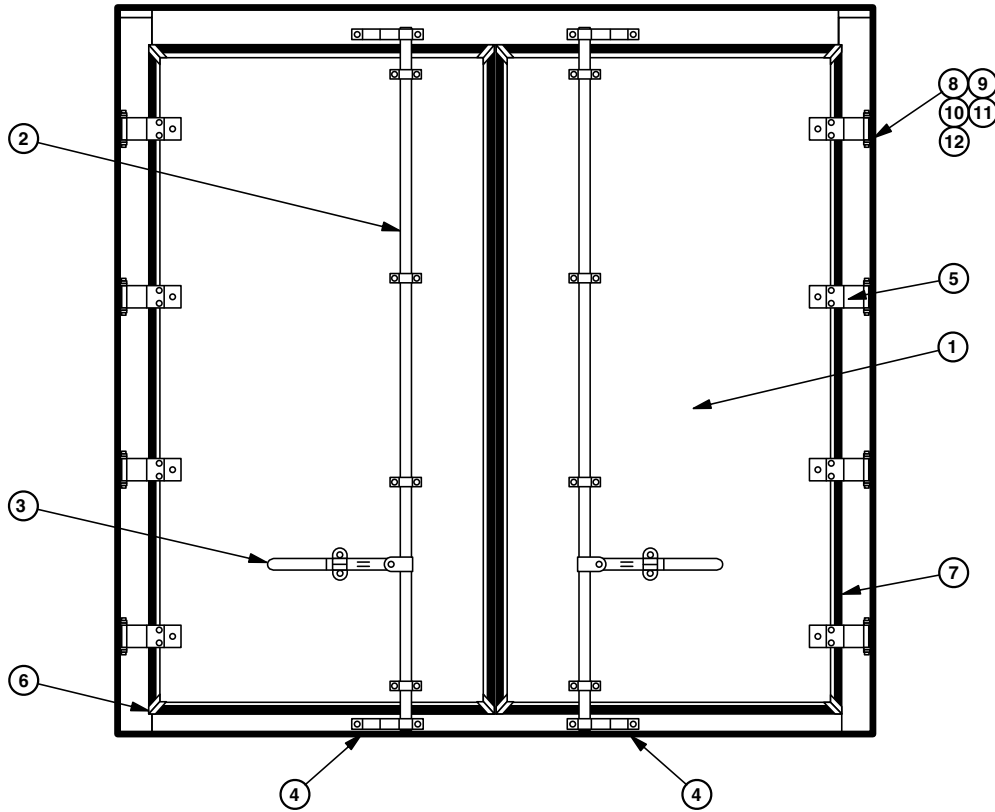
1998 to Present

1998 TO PRESENT

Item#	Description	Quantity	Part#
1	COMPLETE DOOR (109H BODY)	AS REQ'D	LHD5S50 (C/S); LHD5S500 (R/S)
2	PLYMETAL PANEL	1	03300 (4'x 8')
3	POSTS - 109"	2	14342021
4	HEADER	1	1121583
5	LOCKROD	1	087122 (C/S); 087121 (R/S)
6	HINGE STRAPS	AS REQ'D	004187
7	LOCKROD HANDLE KIT	1	087742
8	ALUMINUM DOOR TRIM	AS REQ'D	113911
9	DOOR SEAL	AS REQ'D	076351
10	HINGE BUTT	AS REQ'D	087226
11	HINGE BOLT	AS REQ'D	051176
12	HINGE NUT	AS REQ'D	052215
13	LOCKROD CATCH	AS REQ'D	087761
14	NYLON CATCH WEAR STRIP	AS REQ'D	076931
15	WEAR STRIP TAPE	AS REQ'D	080364
16	THRESHOLD	1	14330
17	HOLD BACKS	1	087603 (MALE); 087604 (FEMALE)
18	RUBBER DOOR STOP	1	07657
19	DOOR PANEL W/SEAL		0383309



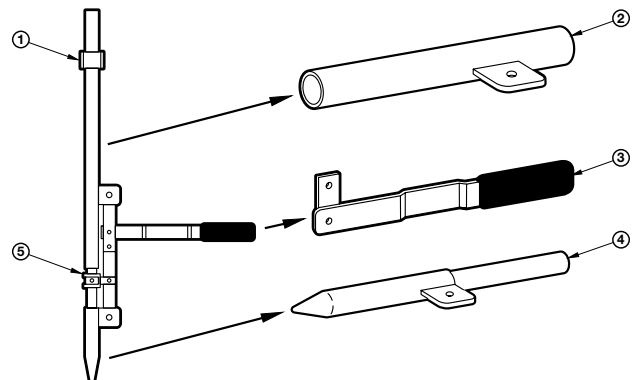
Item#	Description	Quantity	Part#	Notes
1	DOOR PANEL-PLYMETAL	1	03300	
	DOOR PANEL-FRP	1	CALL WITH SERIAL #	
2	POST-HINGE SIDE - 108"	1	1428405	
3	POST-LOCK SIDE - 108"	1	1428205	
4	HEADER	1	142804	
5	LOCKROD STRAPS	1	004186	
6	LOCKROD HANDLE KIT	1	087742	
7	LOCKROD	1	00317	
8	HINGE STRAP	AS REQ'D	004187	
9	HINGE BUTT	AS REQ'D	087226	
10	HINGE BOLT	AS REQ'D	051176	
11	HINGE BOLT NUT	AS REQ'D	052215	
12	LOCK ROD PIN	2	08730	
13	DOOR SEAL - 146"	AS REQ'D	077803	
14	DOOR TAB	AS REQ'D	076502	
15	THRESHOLD	1	143265	
16	HOLDBACK-MALE	1	087603	
	HOLDBACK-FEMALE	1	087604	

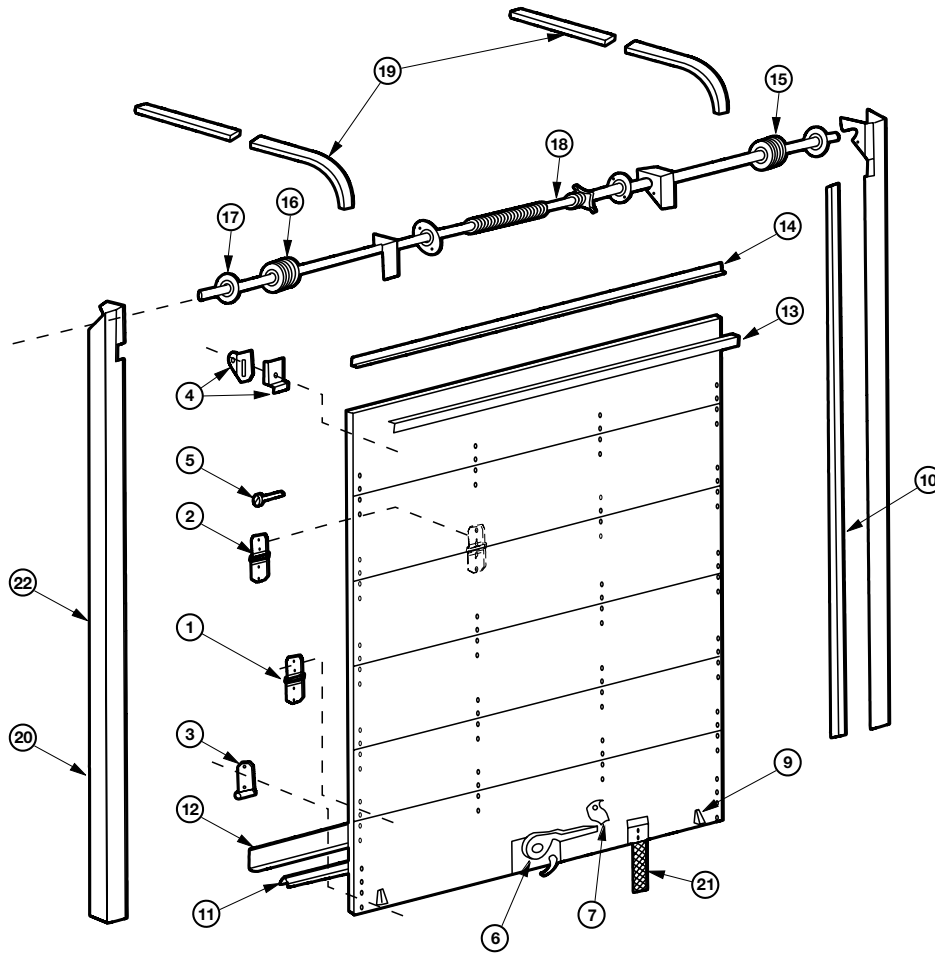


Item#	Description	Quantity	Part#	Notes
1	PLYMETAL	AS REQ'D	03300 (4' x 8')	
		AS REQ'D	03310 (4' x 9')	
2	LOCKRODS - 112"	2	08738178 (LH); 08738177 (RH)	
3	HANDLE KIT	2	087107	
4	KEEPERS	2	087725 (C/S BOTTOM : R/S TOP)	
		2	087726 (R/S BOTTOM : C/S TOP)	
5	DOOR SEAL - 146"	AS REQ'D	077803	
6	DOOR SEAL CORNER TABS	AS REQ'D	076502	
7	HINGE STRAPS	AS REQ'D	004188 (1998-PRESENT)	
8	HINGE BUTTS	AS REQ'D	087226 (1998-PRESENT)	
9	HINGE PIN/BOLT	AS REQ'D	08730 (PRE-1998); 051176 (1998-PRESENT)	
10	ANTI-THEFT PIN	AS REQ'D	08737	
11	HINGE PIN NUT	AS REQ'D	052215 (1998-PRESENT)	
12	PLASTIC WASHERS	AS REQ'D	05550	

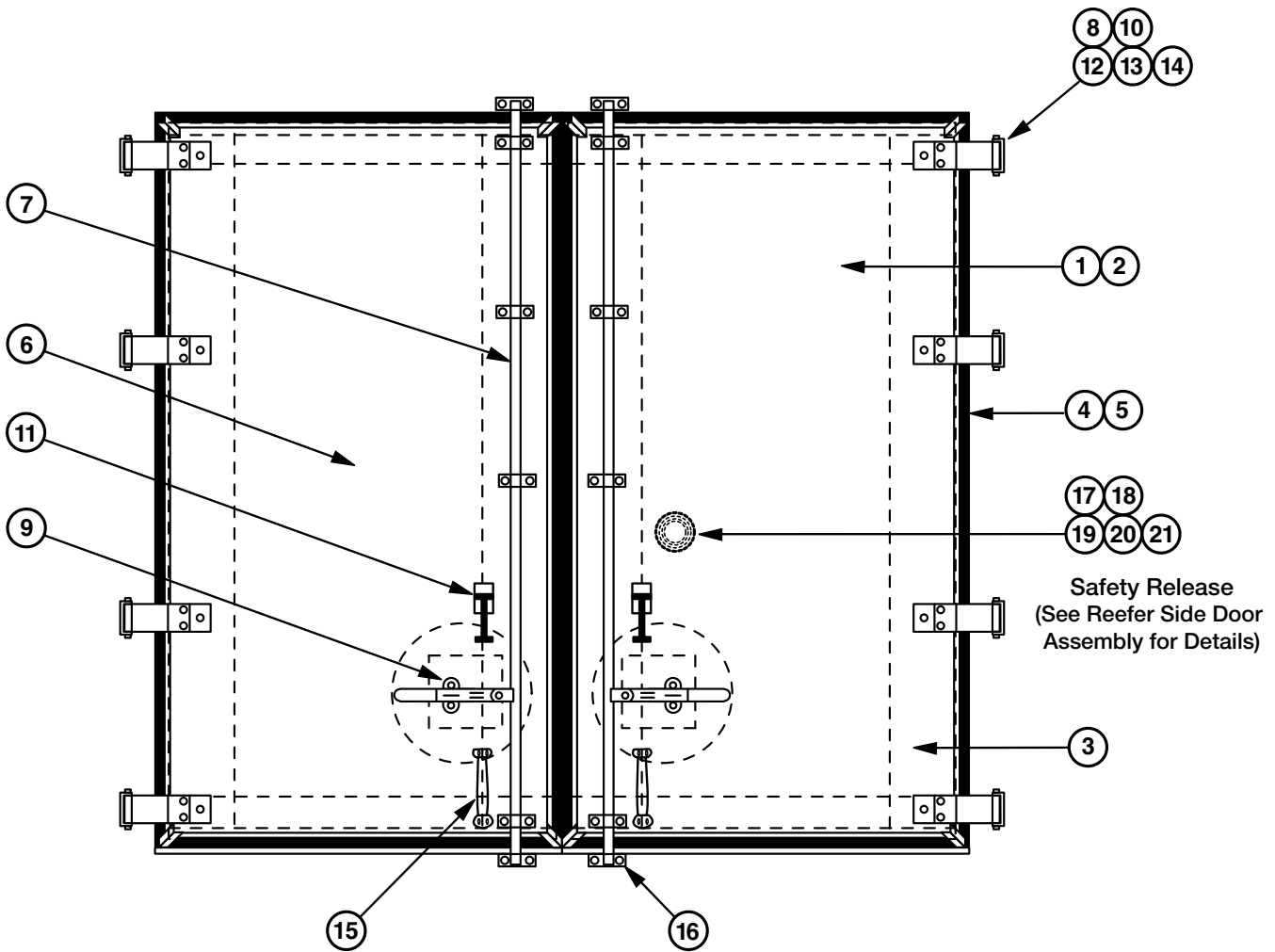
FLUSH ENTRY HARDWARE

Item#	Description	Part#
1	GUIDES	087095; 087096
2	LOCK ROD	08738177 (R/H); 08738178 (L/H)
3	HANDLE ASSEMBLY (L/H)	43102
	HANDLE ASSEMBLY (R/H)	43103
4	BOTTOM ROD	43100
5	HANDLE BRACKET	43101

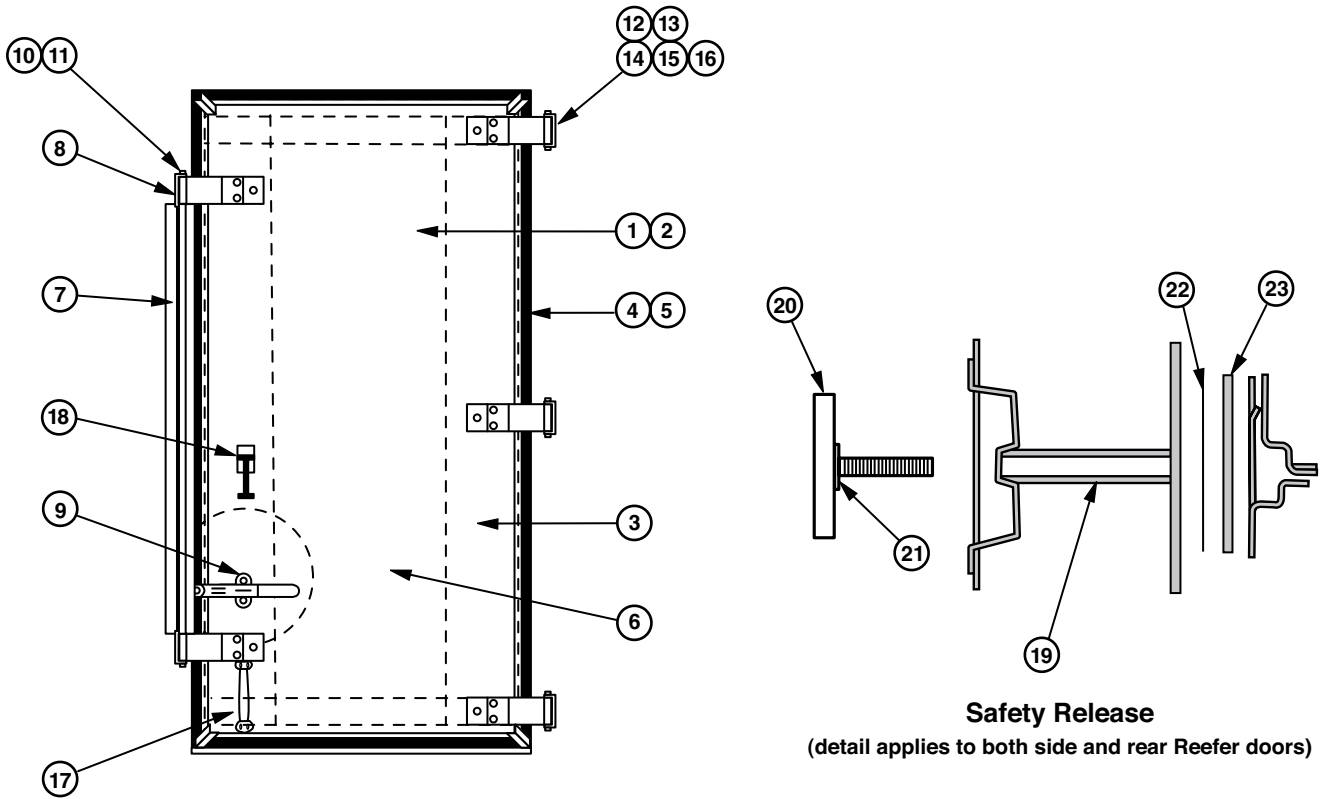




Item No.	Description	Todco No.	Morgan No.	Equivalent No.	Whiting No.	Morgan No.	Equivalent No.
1	ROLLER HINGE	69035	61419	6141911	1209A	61741	617411
2	CENTER HINGE	61196	61397	6139711	15	61712	617121
3	BOTTOM FIXTURE	61352	61407	614071	1371	61748	—
4	TOP FIXTURE - BASE	69432	61425	614251	1264	61744	617441
	TOP FIXTURE - SLIDE	69431	61424	614241	6943	61751	617511
5	ROLLERS	70317	613601	6136011	3228	61771	617711
6	LOCK	69571	61359	613591	77	61696	—
7	KEEPER	69572	61426	6142611	7515	61774	—
8	DOOR CABLES -110"	51044	61384	613841	—	—	—
	115"	59044	61388	613881	—	617042	—
	125"	—	—	—	1-1	61704	617041
	130"	—	—	—	1-4	61706	617061
9	CABLE ANCHOR BRACKET	61204	61398	613981	4004	—	—
10	SIDE SEALS - RUBBER	70338	613750	—	5377	616990	—
11	BOTTOM SEAL	80840	61364	613641	5735	616882	—
12	BOTTOM SEAL RETAINER	61191	61365	—	8280-2	617021	—
13	TOP SEAL	69718	61361	6136111	4032	61699	—
14	TOP SEAL RETAINER	69790	61369	—	—	INCLUDED IN 61699 ABOVE	
15	CABLE DRUM C/S	59129-1	61381	—	2548	61769	—
16	CABLE DRUM R/S	59129-2	61382	—	2547	61766	—
17	BEARING	51038	61380	613801	—	—	—
18	OPERATOR - 96" WIDE	59174	61393	613931	2376	61677	—
	OPERATOR - 102" WIDE	59292	—	—	2376	61678	616781
	OPERATOR - REEFER	CALL WITH MODEL AND SERIAL #			2376	616772	—
19	HORIZONTAL TRACK - C/S	49807-1	61337	—	5382	616832	—
	HORIZONTAL TRACK - R/S	49807-2	613371	—	5381	616842	—
20	VERTICAL TRACK - C/S	49846-1	61336	—	5991	616813	—
	VERTICAL TRACK - R/S	49846-2	613361	—	5990	616812	—
21	GRAB STRAP	—	617131	—	61713	—	—
22	POST FILLER - GVFD	—	004027	—	—	004027	—

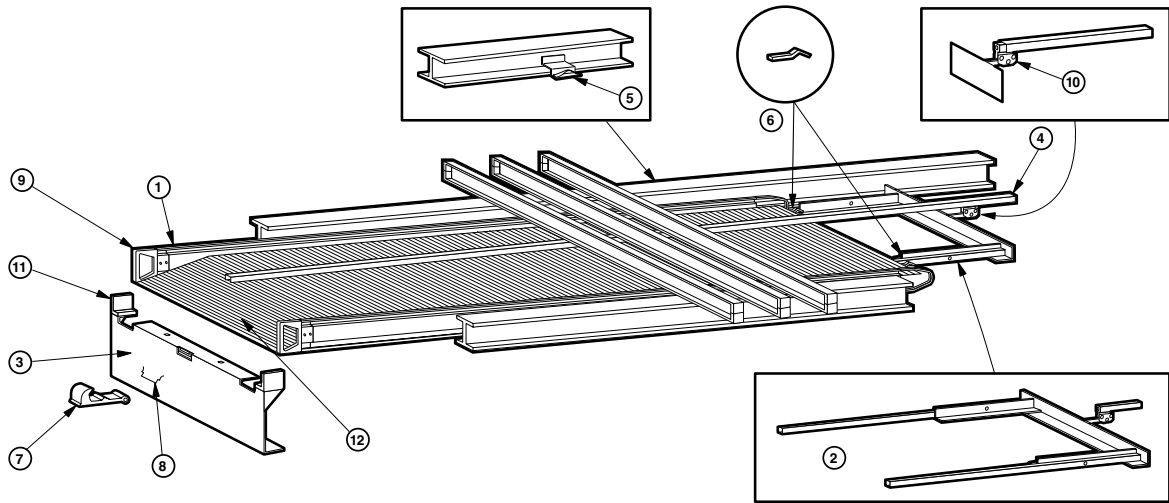


Item#	Description	Quantity	Part#	Notes
1	DOOR SKIN	1	20021	
2	GLASSBOARD LINER	1	0662041	4' x 8'
3	DOOR FRAME PERIMETER	2	00427016	VERTICAL
		2	00428015	HORIZONTAL
4	RUBBER DOOR SEAL	AS REQ'D	0762971	
5	DOOR BUILD UP	AS REQ'D	0762951 (3" BUILD UP); 0762961 (4" BUILD UP)	
6	FOAM INSULATION	AS REQ'D	642019	1 CUBIC FOOT
7	LOCK ROD	1	08738177 (REAR RH); 08738178 (LH)	
8	REAR HINGE STRAP	2	004188	
9	HANDLE KIT	1	087107 (REAR)	
10	HINGE BOLT	2	051176	
11	DOOR HOLD BACKS	2	087603 (MALE); 087604 (FEMALE)	
12	HINGE BOLT NUTS	AS REQ'D	052215	
13	NYLON WASHERS	AS REQ'D	05550	
14	HINGE BUTTS	AS REQ'D	087226	
15	GRAB HANDLES	AS REQ'D	08788	
16	REAR DOOR L/R KEEPERS	AS REQ'D	087726 (R/S BTM); 087725 (C/S BTM)	
17	SAFETY RELEASE CUP	1	07779	
18	SAFETY RELEASE HANDLE	1	45319	
19	HANDLE WASHER	1	05255	
20	SAFETY RELEASE PLATE	1	11470	
21	KEEPER GASKET	1	076543	



Safety Release
(detail applies to both side and rear Reefer doors)

Item#	Description	Quantity	Part#	Notes
1	DOOR SKIN	1	20021	
2	GLASSBOARD LINER	1	0662041	4' x 8'
3	DOOR FRAME PERIMETER	2	00427016	VERTICAL
		2	00428015	HORIZONTAL
4	RUBBER DOOR SEAL	AS REQ'D	0762971	
5	DOOR BUILD UP	AS REQ'D	0762951 (3" BUILD UP); 0762961 (4" BUILD UP)	
6	FOAM INSULATION	AS REQ'D	642019	1 CUBIC FOOT
7	LOCK ROD CAM	1	00317 (SIDE)	
8	LOCKROD HINGE STRAP	2	004186	
9	HANDLE KIT	1	087742 (SIDE)	
10	LOCK ROD PIN	2	08730	
11	ANTITHEFT PINS	2	08737	
12	HINGE STRAPS	AS REQ'D	004188	
13	HINGE BOLTS	AS REQ'D	051176	
14	HINGE BOLT NUTS	AS REQ'D	052215	
15	NYLON WASHERS	AS REQ'D	05550	
16	HINGE BUTTS	AS REQ'D	087226	
17	GRAB HANDLES	AS REQ'D	08788	
18	HOLD BACK	AS REQ'D	087603 (MALE); 087604 (FEMALE)	
19	SAFETY RELEASE CUP	1	07779	
20	SAFETY RELEASE HANDLE	1	45319	
21	HANDLE WASHER	1	05255	
22	SAFETY RELEASE PLATE	1	11470	
23	KEEPER GASKET	1	076543	



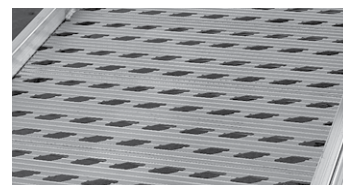
Item#	Description	Quantity	Part#	Notes
1	10' STD RAMP	1	300545	
1	10' VENT. RAMP	1	3005456	
1	12' STD RAMP	1	300546	
1	12' VENT. RAMP	1	3005466	
1	14' STD RAMP	1	300547	
1	14' VENT. RAMP	1	3005476	
1	16' STD RAMP	1	300586	
1	16' VENT. RAMP	1	3005866	
2	CARRIER ASSEMBLY	1	300025	
3	CLOSURE ASSEMBLY	1	300014	
4	WALKRAMP TRACK	1	01959	
5	ANTI-VIBE SPRINGS	2	30020	
6	WALKRAMP HOOKS	2	07815	
7	WALKRAMP LATCH	1	00493	
8	WALKRAMP LATCH SPRING	1	07811	
9	WALKRAMP HANDLES	2	077036 (PLASTIC)	
10	PLASTIC CARRIER SLIDE	1	077038	
11	PLASTIC CLOSURE GUIDES	2	077034	
12	GROUND PLATE	1	004812	
	WALKRAMPS SPRING ASSIST (NOT SHOWN)	2	07812	



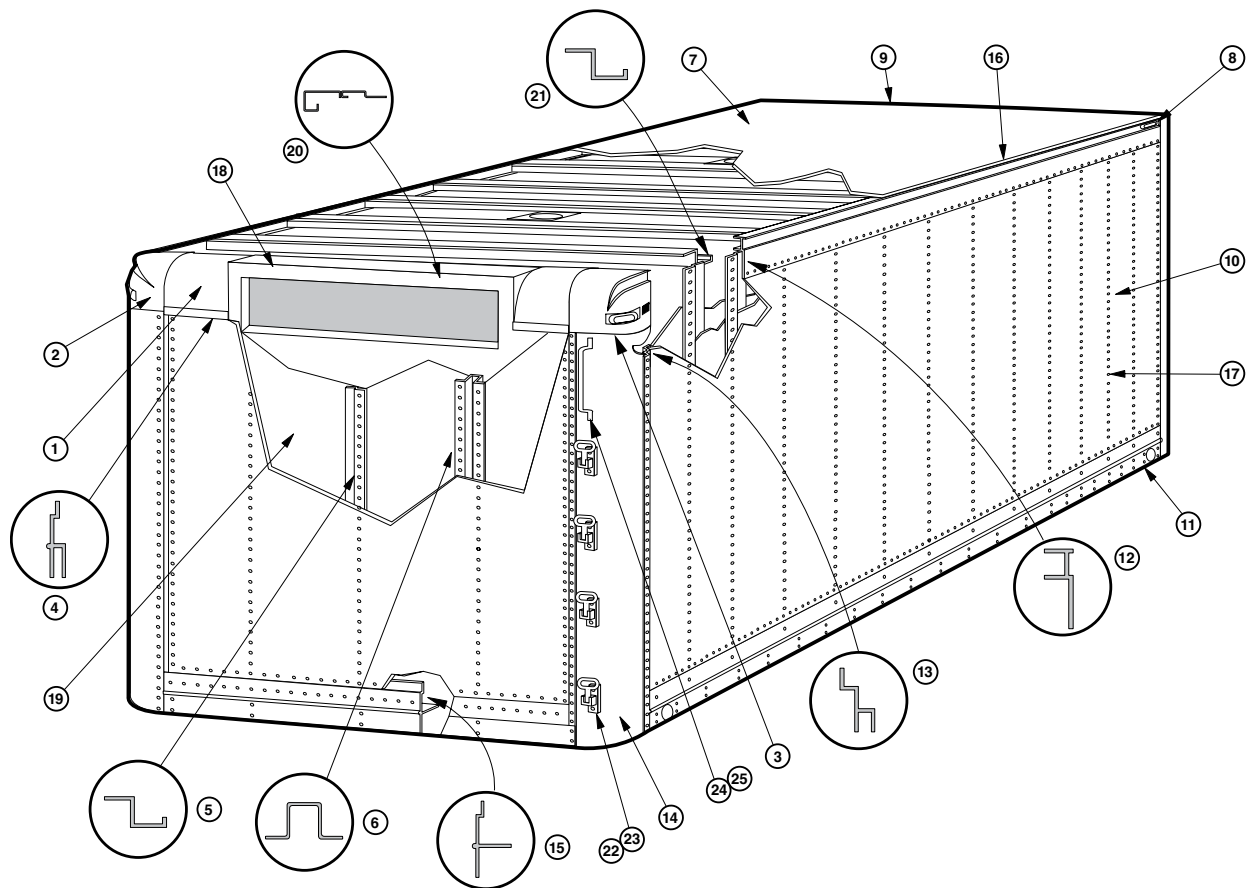
Wider ramps available upon request.



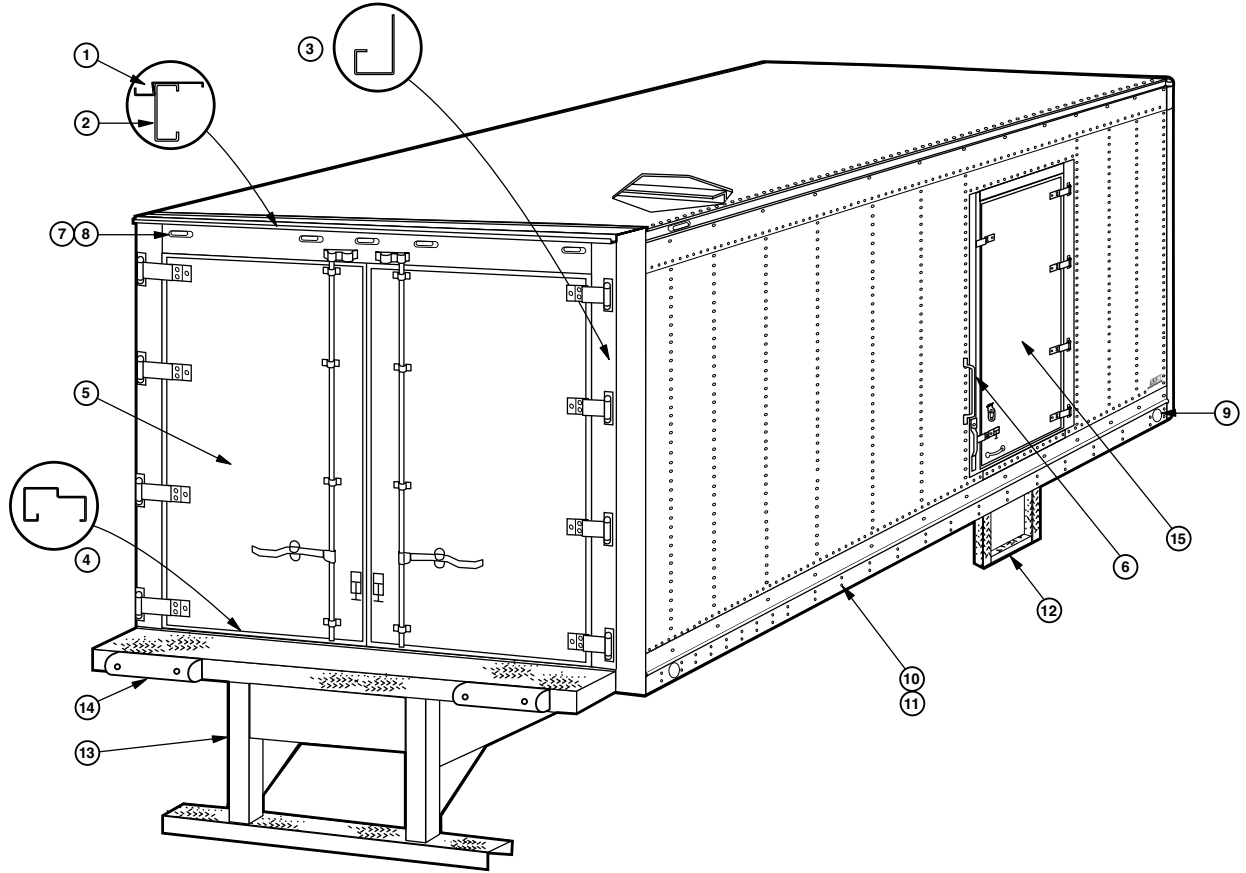
Standard aluminum non-skid surface



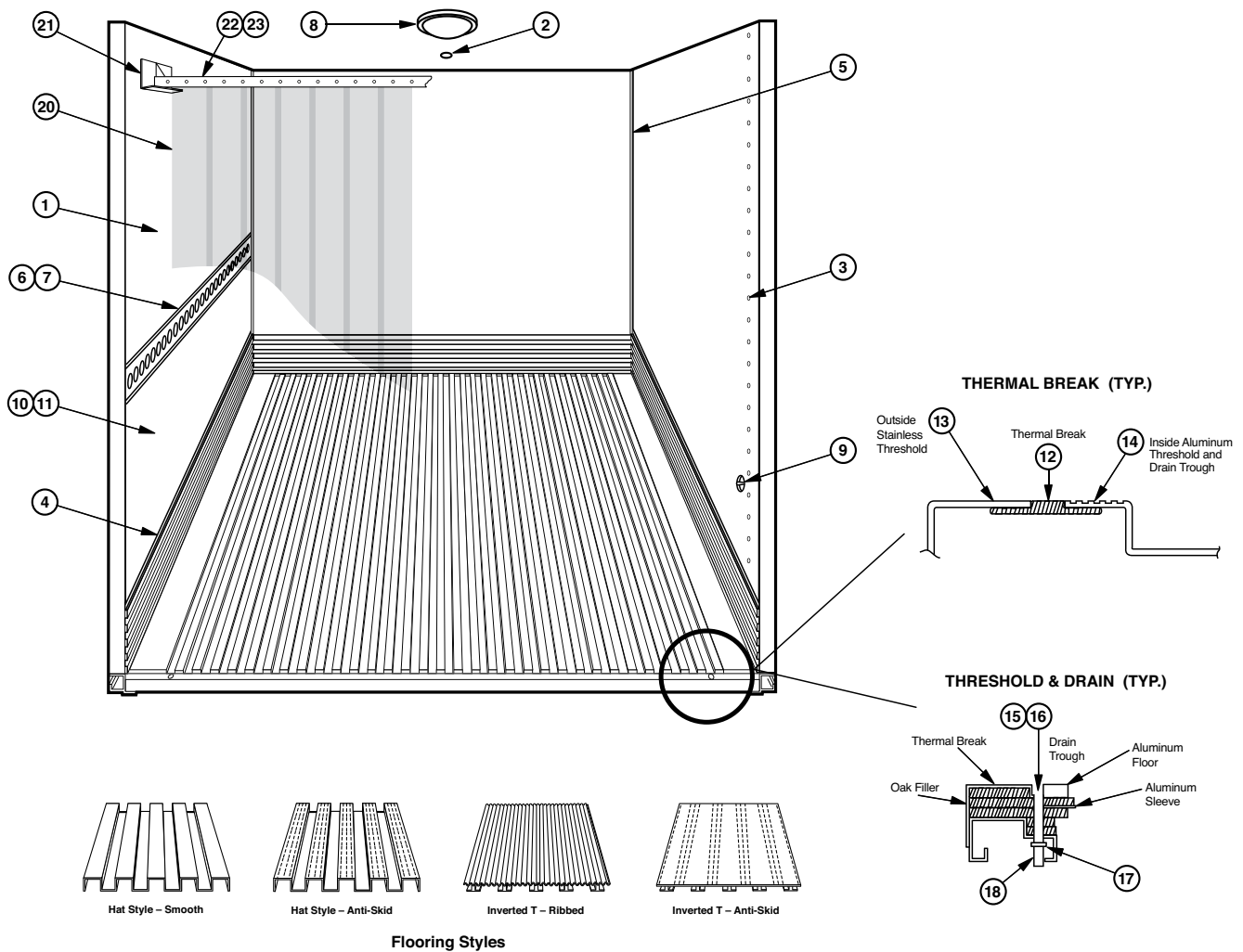
Ventilated non-skid surface



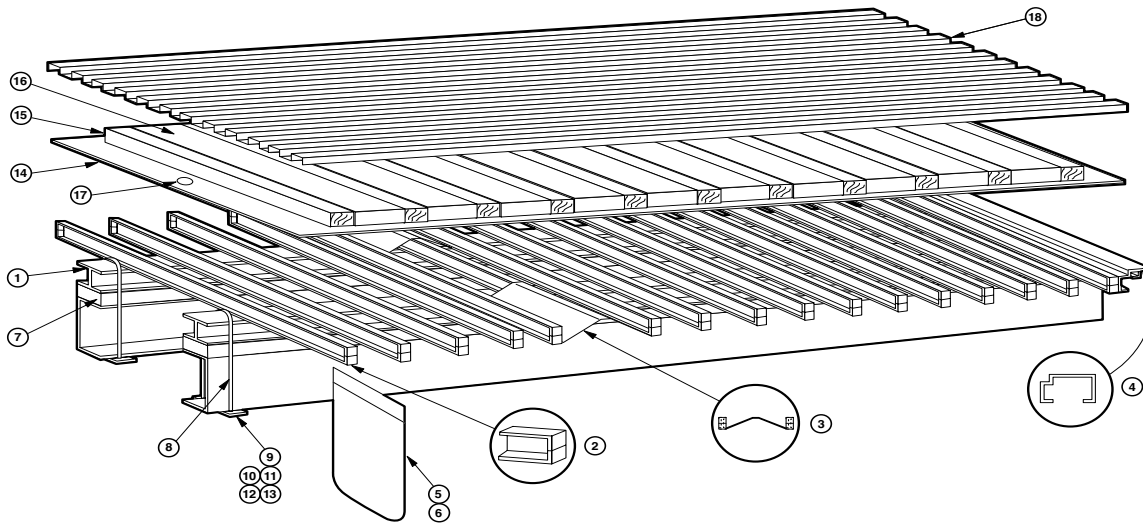
Item#	Description	Quantity	Part#	Notes
1	FRONT TOP RADIUS-ALUM	1	13500 (96" WIDE); 13502 (102" WIDE)	
	FRONT TOP RADIUS-S/S	1	13584 (96" WIDE); 1358401 (102" WIDE)	
2	CURBSIDE CORNER CAP-CAST ALUM	1	006671	PRE 1998 BODIES
	CURBSIDE CORNER CAP-PLASTIC - KIT	1	6266418	9/2002-PRESENT
3	ROADSIDE CORNER CAP-CAST ALUM	1	0066710	PRE 1998 BODIES
	ROADSIDE CORNER CAP-PLASTIC - KIT	1	6266518	9-2002-PRESENT
4	FRONT TOP CONNECTOR	1	14142 (PRE 2002)	
5	INTERIOR Z-POSTS	AS REQ'D	14211 (ALUM) 109"	
6	INTERIOR HAT POSTS	AS REQ'D	14225 (ALUM) 109"	
7	ALUM. ROOF SHEET	AS REQ'D	00602 (102" WIDE)	
8	REAR TOP RAIL CLOSURE	2	143906 (2000-PRESENT)	
9	REAR ROOF CLOSURE STRIP	1	1438206 (96" WIDE); 143821 (102" WIDE)	
10	ALUM. WHITE SIDE PANELS - 49" WIDE	AS REQ'D	20020 (93"); 20021 (105"); 20022 (120")	
11	BOTTOM RAIL	2	000785 (26")	
12	TOP RAIL	2	1470062 (301"); 00015904 (325") w/o Holes	9/2002-PRESENT
13	CONNECTOR POSTS - 112.31"	4	00165	
14	CORNER RADIUS-ALUM.	2	00659 (97" BODY); 00660 (109" BODY)	
	CORNER RADIUS-S/S	2	01423 (97" BODY); 01424 (109" BODY)	
15	FRONT BOTTOM RAIL - 87"	1	0010151	
16	ROOF RIVETS	AS REQ'D	05410	
17	SIDE PANEL RIVETS	AS REQ'D	05410	
18	PLASTIC DORMER	1	06645 (96" WIDE); 066450 (102" WIDE)	
19	REEFER REINFORCEMENT ASSEMBLY	1	SEE REEFER REINFORCEMENT DETAIL - PAGE 26	
20	FRONT ROOF BOW (HEADER)	1	0002502 (96" WIDE); 0002503 (102" WIDE)	
21	INTERMEDIATE ROOF BOWS	AS REQ'D	141862 (96" WIDE); 141863 (102" WIDE)	
22	FOLDING STEPS	AS REQ'D	0784104	
23	FOLDING STEP REINFORCMENT	1	122261	
24	GRAB HANDLE	AS REQ'D	087919	
25	GRAB HANDLE REINFORCMENT	1	122282	



Item#	Description	Quantity	Part#	Notes
1	UPPER HEADER - S/S	1	1121747 (96" WIDE); 1121748 (102" WIDE)	
2	LOWER HEADER - S/S	1	1121228 (12.25"); 1121237 (13.25"); 1121322 (6.94")	96" WIDE
	LOWER HEADER - S/S	1	1121229 (12.25"); 1121238 (13.25"); 1121323 (6.94")	102" WIDE
3	REAR CORNER POSTS - S/S	2	1198743 (OVERHEAD DOOR)	
		2	1198704 (SWING DOORS)	
4	REAR ENDPLATE - SWING	1	1076312 (96" WIDE); 1076313 (102" WIDE)	
	REAR ENDPLATE - OVERHEAD	1	1271802 (96" WIDE); 1271803 (102" WIDE)	
5	REAR DOORS	AS REQ'D	CALL WITH MODEL & SERIAL NUMBER	
6	GRAB HANDLE	A/T	087919	
7	TURTLE BACK LIGHT LENSE	AS REQ'D	46001259 (AMBER); 46001260 (RED)	
	OVAL LIGHT LENSE	AS REQ'D	0401511 (AMBER); 040151 (RED)	
8	LIGHT BASE	AS REQ'D	040179 (W/PIGTAIL); 04005 (SPLICELESS)	
9	REFLECTOR	AS REQ'D	040634 (AMBER); 040644 (RED)	
10	BOTTOM RAIL BOLT	AS REQ'D	051195	
11	BOTTOM RAIL NUT	AS REQ'D	05210	
12	SIDE DOOR STEP	AS REQ'D	45600954	
	STEP BRACKETS (no pictured)		10121091	
13	BUMPER	1	CALL WITH MODEL AND SERIAL #	
14	RUBBER BUMPER BLOCKS - D-SHAPE	AS REQ'D	07622 (4" x 4" x 12"); 076264 (3" x 3" x 24"); 0762204 (4" x 4" x 24"); 07621 (3" x 3.5" x 6")	
	- SQUARE			
16	SIDE DOOR	AS REQ'D	SEE DOOR SECTION - PAGE 21	



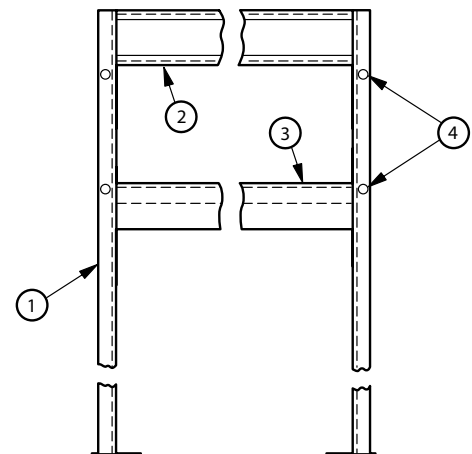
Item#	Description	Quantity	Part#	Notes
1	GLASSBOARD LINER (97")	AS REQ'D	0662019	PER FOOT
2	2" FOAM PLUG	AS REQ'D	07705	
3	NYLON TAPPITS	AS REQ'D	05530 (.75"); 05531 (1"); 05532 (1.5")	
4	ALUMINUM SCUFF PLATE	AS REQ'D	0039709	
5	ALUMINUM COVE MOLDING	AS REQ'D	0040596	
6	E-TRACK GALVNIIZED	AS REQ'D	079752	
7	F-TRACK GALVNIIZED	AS REQ'D	079803	
8	DOME LIGHT	AS REQ'D	04051	
9	SWITCH - RECESSED	AS REQ'D	04412	
10	VERTICAL THERMO BREAK	AS REQ'D	077469	
11	TRIM ANGLE	AS REQ'D	100428 (3" WALL); 1004280 (4" WALL)	
12	THERMO BREAK-FLOOR	1	077462	
13	S/S COVER PLATE - OVERHEAD DOOR	1	Call with Serial Number	
	S/S COVER PLATE - SWING DOORS	1	Call with Serial Number	
14	ALUMINUM DRAIN TROUGH - O/D	1	0040691 (96" WIDE); 004081 (102" WIDE)	
	ALUMINUM DRAIN TROUGH - S/W	1	0040688 (96" WIDE); 004082 (102" WIDE)	
15	ALUMINUM DRAIN PIPE	2	11425	
16	PLASTIC DRAIN PIPE	2	114201	
17	HOSE CLAMP	2	05741	
18	RUBBER KAZOO	AS REQ'D	076401 (PER INCH)	
19	PLASTIC LATCH DRAIN BOX (NOT SHOWN)	1	077791	
20	VINYL CURTAIN (8" WIDE) - FT	AS REQ'D	07795	
21	BRACKET	2	103306	
22	CHANNEL	1	1062986 (96" WIDE); 1062992 (102" WIDE)	
23	REINFORCEMENT	1	1234386 (96" WIDE); 1234392 (102" WIDE)	

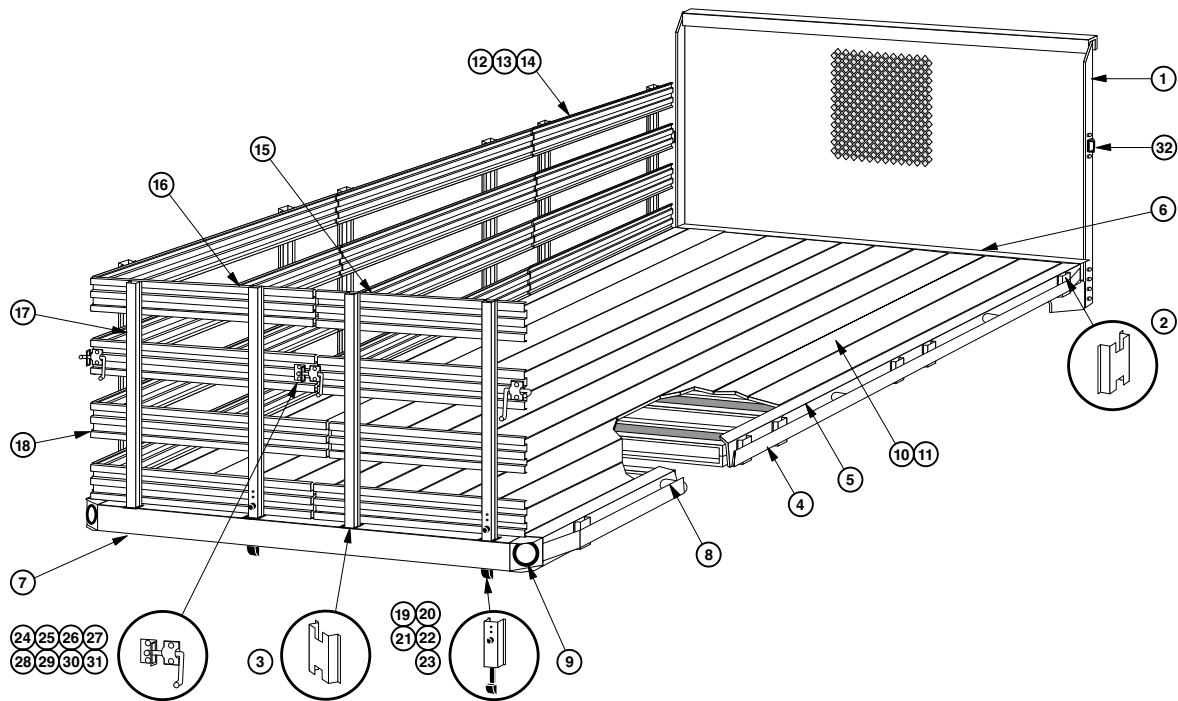


Item#	Description	Quantity	Part#	Notes
1	LONG RAILS	2	MODEL & SERIAL # REQ'D	
2	CROSSMEMBERS	AS REQ'D	010021 (96" WIDE); 010025 (102" WIDE)	
3	WHEELPANS	2	128315 (96" WIDE); 128316 (102" WIDE)	
4	FRONT END PLATES	1	1075910 (96" WIDE); 1075911 (102" WIDE)	
5	MUDFLAP BRACKET	2	102901	
6	MUDFLAPS - 24"x 30"	2	0773002 (MORGAN); 077321 (PLAIN)	
	MUDFLAPS - 24"x 36"	2	0773102 (MORGAN); 07732 (PLAIN)	
7	SLEEPER SLAT-16'	AS REQ'D	021460 (3/4"); 0214610 (1-3/4"); 0214640 (2-1/2")	
8	U-BOLTS	AS REQ'D	0560101(12"); 0560201 (14"); 0560301 (16"); 0560401 (18") 0560501 (20"); 0560601 (22"); 0560701 (24")	
9	U-BOLT TIE PLATES	AS REQ'D	101427	
10	U-BOLT FASTENERS	AS REQ'D	052232 (NUT); 05261 (WASHER)	
11	J-BOLT TOP BRACKET	AS REQ'D	05660	
12	J-BOLT BOTTOM BRACKET	AS REQ'D	0564001 (4"); 0564101 (6")	
13	J-BOLTS	AS REQ'D	0562501 (18")	
14	GLASSBOARD SUB-PAN	AS REQ'D	0664438 (96" WIDE); 0664401 (102" WIDE)	
15	WOOD BUILD UP	AS REQ'D	02178 (2" x 4" x 96") FOR 4" FLOOR 02179 (2" x 5" x 96") FOR 5" FLOOR	
16	FOAM INSULATION	AS REQ'D	642019 (FOAM PACK @ 1 CUBIC FOOT)	
17	FOAM PLUGS	AS REQ'D	07705	
18	ALUMINUM FLOORING	1	CALL WITH MODEL AND SERIAL #	

GVSR REEFER REINFORCEMENT

Item#	Description	Quantity	Part#
1	POSTS - 105.12"	2	105032
2	UPPER HEADER	1	111516
3	LOWER HEADER	1	102522
4	BOLT PIPES	4	01807



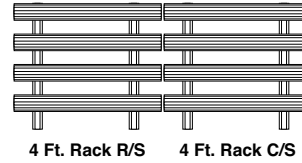
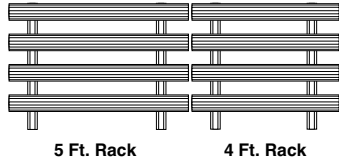


Item#	Description	Quantity	Part#	Notes
1	BULKHEADS	1	MODEL & SERIAL # REQ'D	
2	SIDE POCKETS	AS REQ'D	118541	
3	REAR POCKETS	AS REQ'D	1185399	
4	OUTER SIDE RAIL	2	01556 (2" x 240")	
5	INNER SIDE RAIL	2	MODEL & SERIAL # REQ'D	
6	FRONT RAIL	1	12131001 (96" WIDE); 12131002 (102" WIDE)	
7	REAR RAIL	1	12133001 (96" WIDE); 12133002 (102" WIDE)	
8	PIPE SPACERS	AS REQ'D	018151	
9	CORNER CAP	AS REQ'D	128061	
10	FLOORING		MODEL & SERIAL # REQ'D	
11	FLOOR SCREWS	AS REQ'D	05329	
12	STAKE RACKS KITS	1	SEE DETAIL	
13	4' STAKE RACK - W/O CONNECTOR	AS REQ'D	09452001	
14	5' STAKE RACK - W/O CONNECTOR	AS REQ'D	09453001	
15	C/S REAR RACK - W/O CONNECTOR	1	09451001 (96" WIDE); 09451002 (102" WIDE)	
16	R/S REAR RACK - W/O CONNECTOR	1	09450001 (96" WIDE); 09450002 (102" WIDE)	
17	S/R POSTS	AS REQ'D	0191800	
18	S/R SLATS	AS REQ'D	09331002 (47"); 09331003 (59") 09331001 (44.62"); 09331004 (47.62")	
19	S/R LATCH	1	087763	
20	S/R SPRING	1	078968	
21	LATCH BOLT	1	0897154	
22	LATCH BOLT NUT	1	1117838	
23	LATCH BOLT WASHERS	2	052513	
24	S/R HDWR - BEARING CAP	AS REQ'D	0878630	
25	S/R HDWR - BEARING PLATE	AS REQ'D	0878620	
26	S/R HDWR - SIDE PLATE (90°)	AS REQ'D	087861	90° BEND
27	S/R HDWR - CORNER PLATE	AS REQ'D	087860	
28	S/R HDWR - HANDLE	AS REQ'D	0878640	
29	S/R HDWR - BOLTS	AS REQ'D	1117100	
30	S/R HDWR - NUTS	AS REQ'D	1117344	
31	S/R HDWR - WASHERS	AS REQ'D	05252	
32	S/R HDWR - BOLT-S/TAPPING	AS REQ'D	05121	

Stake Body Rack Configurations

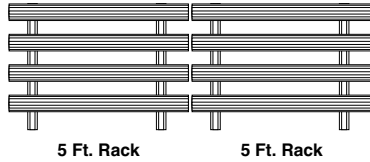
108.00" Floor Length

HPA 9 Ft. Body
(1) 4 Ft. (1) 5 Ft. Racks
Per Side



120.00" Floor Length

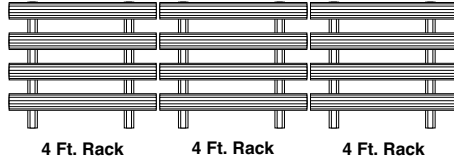
HPA 10 Ft. Body
(2) 5 Ft. Racks
Per Side



**Rear
All Bodies**

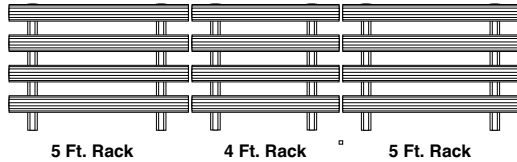
144.00" Floor Length

HPA 12 Ft. Body
(3) 4 Ft. Racks
Per Side



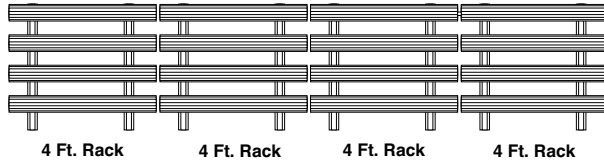
168.00" Floor Length

HPA 14 Ft. Body
(1) 4 Ft. (2) 5 Ft. Racks
Per Side



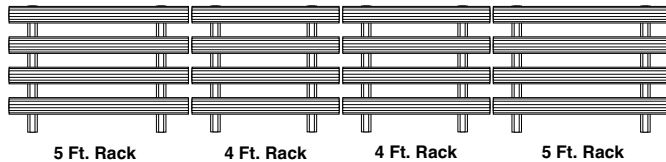
192.00" Floor Length

HPA 16 Ft. Body
(4) 4 Ft. Racks
Per Side



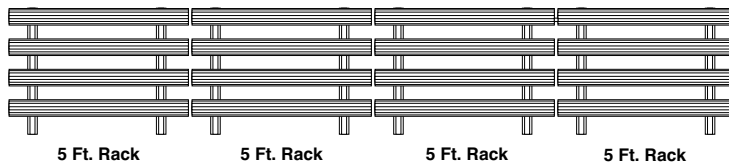
216.00" Floor Length

HPA 18 Ft. Body
(2) 4 Ft. (2) 5 Ft. Racks
Per Side



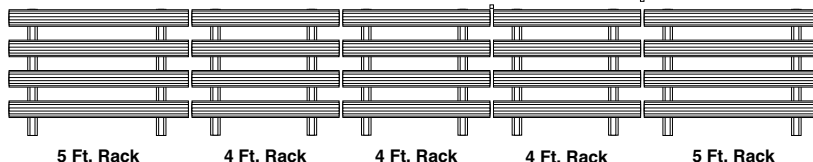
240.00" Floor Length

HPA 20 Ft. Body
(4) 5 Ft. Racks
Per Side



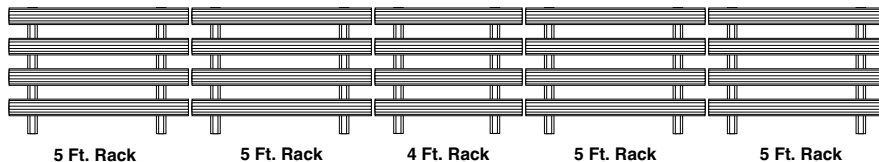
264.00" Floor Length

HPA 22 Ft. Body
(3) 4 Ft. (2) 5 Ft. Racks
Per Side



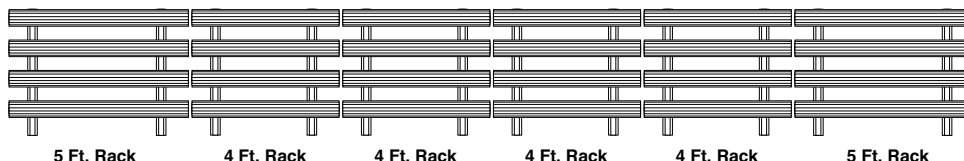
288.00" Floor Length

HPA 24 Ft. Body
(1) 4 Ft. (4) 5 Ft. Racks
Per Side

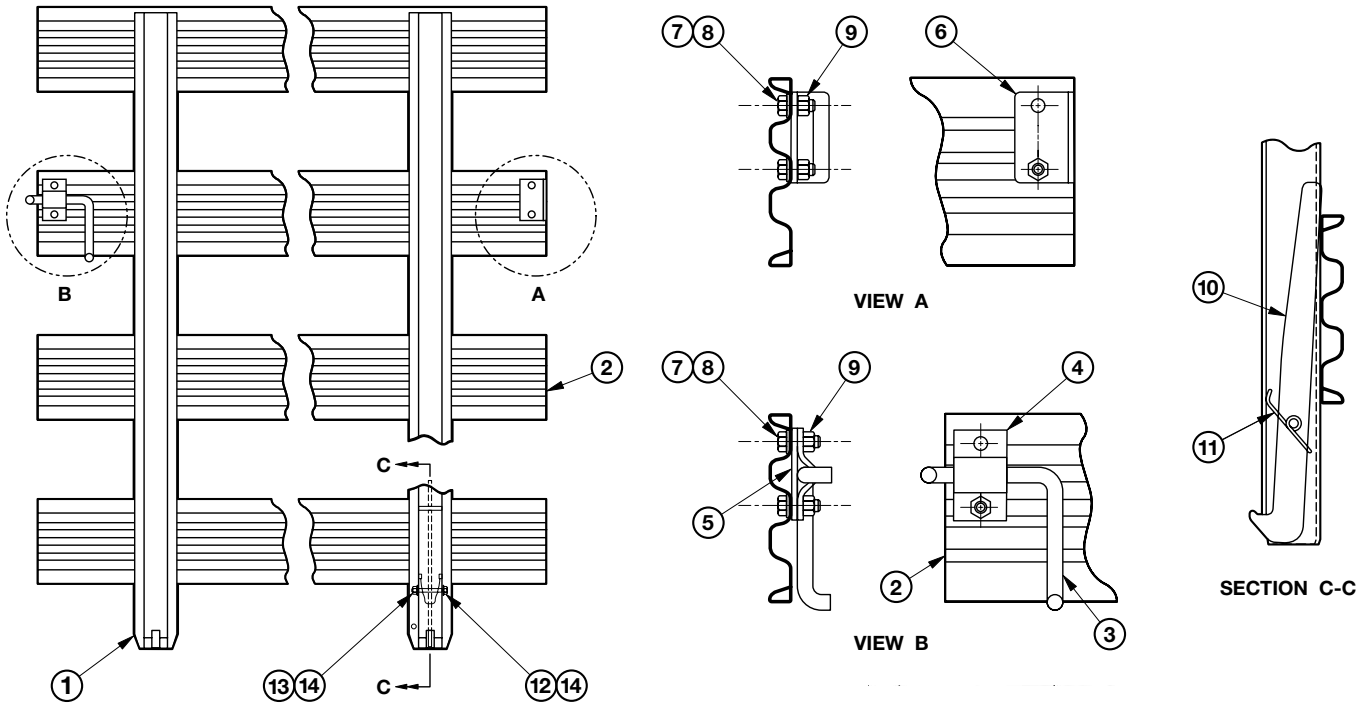


312.00" Floor Length

HPA 26 Ft. Body
(4) 4 Ft. (2) 5 Ft. Racks
Per Side



◀ **Front**



Item#	Description	Part#
1	POST, STEEL	0191800
2	SLAT, GALVANIZED	09331003 (5'); 09331002 (4')
3	HANDLE	0878640
4	BEARING CAP	0878630
5	BEARING PLATE	0878620
6	STRIKER PLATE	087861
7	WASHER 3/8	05252
8	BOLT 3/8-16 x 1	117100
9	NUT 3/8-16	117344
10	LATCH	087763
11	SPRING	078968
12	BOLT 5/16-18 x 2 1/4	0897154
13	NUT 5/16-18	1117838
14	WASHER 5/16	052513
	CORNER PLATE (NOT SHOWN)	087860

A



Part #	Description
A 07796314	PATCHING MATERIAL - SPECIFY COLOR
B 07796315	HT66 PVC VINYL GLUE (PINT)





A



B



C



D



E



F



G



H



I

Part #	Description
A 077964	STAINLESS STEEL BUCKLE (PUSH RELEASE)
B 07796302	LOWER STRAP 30" WITH RAVE HOOK - BLACK
C 07796309	WAISTED RING WITH WHITE TAB
D 07796310	WAISTED RING WITH BLACK TAB
E 07796300	STUD PLATE C/W NUTS (28.2mm x 12mm x m6 STUD)
F 07796301	2 HOLE COVER 28.2mm, WASHER PLATE
G 07796313	NET HANGER ROLLER, TAPERED RED, WHITE TAB
H 07796312	NET HANGER ROLLER, TAPERED RED, BLACK TAB
I 07796311	BAR TYPE ROLLER, TAPERED RED



A



B



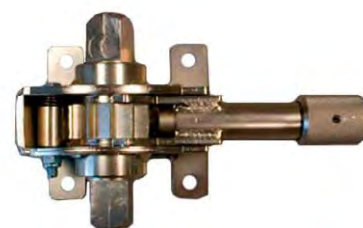
C



D



E

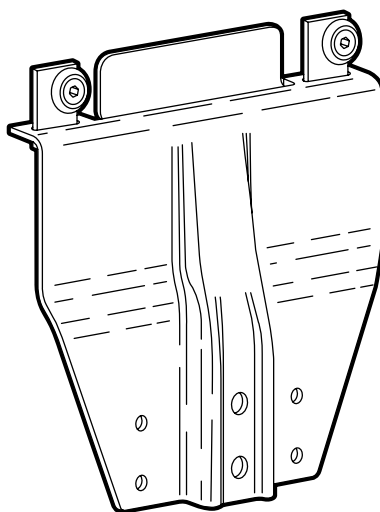


F

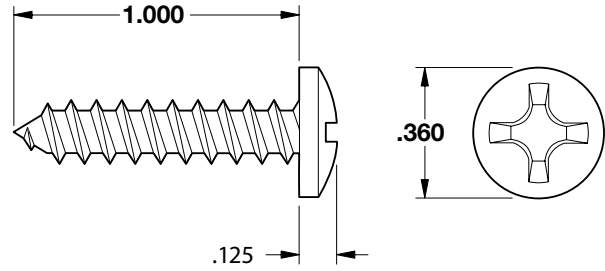
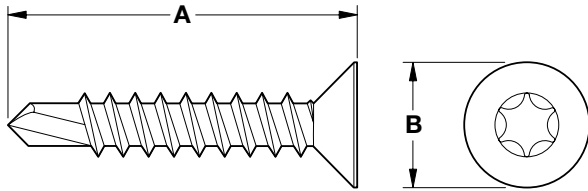
Part #	Description
A 07796308	ROLLER BOBBIN 1.375 DIA x 1.188 WIDE (GRAY) TAPERED
B 07796307	ROLLER BOBBIN 1.375 DIA x 1.25 WIDE (BLACK) SQUARE
C 07796306	PELMET, BLACK, NUVAN PROFILE, 52' ROLLS
D 07796305	TOMMY BAR TENSIONER - LEFT (RS)
E 07796304	TOMMY BAR TENSIONER - RIGHT (CS)
F 08799001	SQUARE TOP TENSIONER

Part #	Description
0768000	TROLLEY

For curtainsider posts and replacement curtains, call with Serial Number.

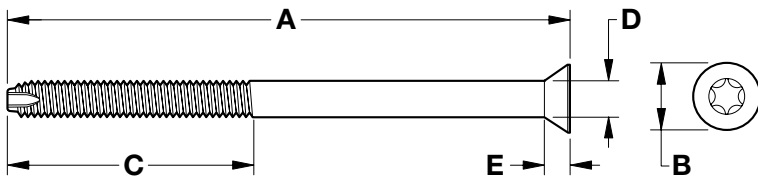


SCREWS

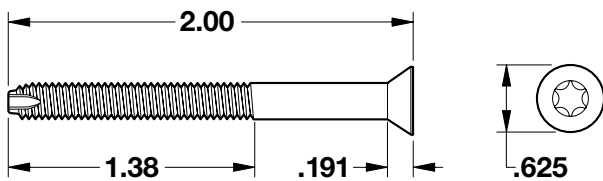


Part #	Description	A	B
05309	Screw #10-16 Torx	1.250	.360
053092	Screw #10-16 Torx	1.000	.360
053093	Screw #10-16 Torx	.750	.360

Part #	Description
05306	Screw #10 Stainless Steel Pan Head S/M



Part #	Description	A	B	C	D	E
05330	Floor Screw 1/4-20	1.500	.475	1.250	.250	.153
05331	Floor Screw 1/4-20	2.000	.475	1.750	.250	.153
05332	Floor Screw 1/4-20	2.500	.475	1.750	.250	.153
05333	Floor Screw 1/4-20	3.000	.475	1.750	.250	.153
05334	Floor Screw 1/4-20	4.000	.475	2.000	.250	.153

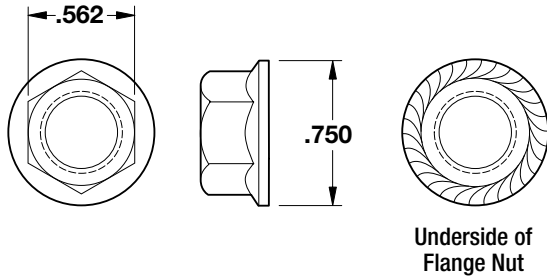


Part #	Description
05329	Floor Screw 5/16-18

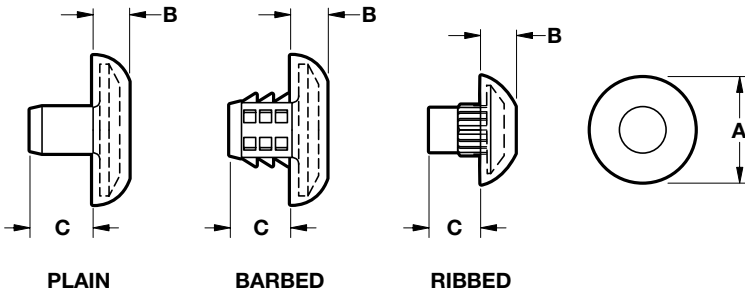
All fastener dimensions are in inches unless otherwise noted. Drawings not to scale.

NUTS

All fastener dimensions are in inches unless otherwise noted.
Drawings not to scale.

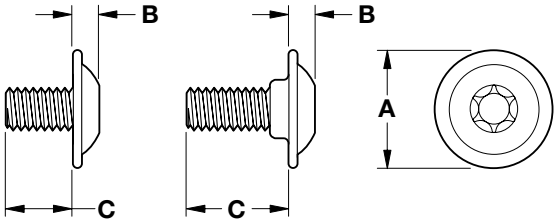
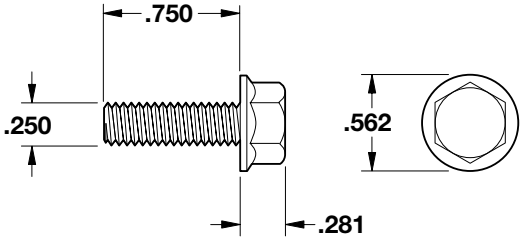


Part #	Description
05210	Flange Nut 3/8-16



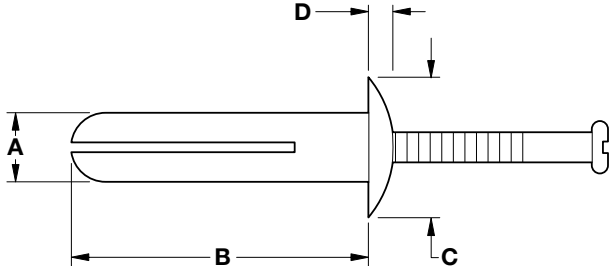
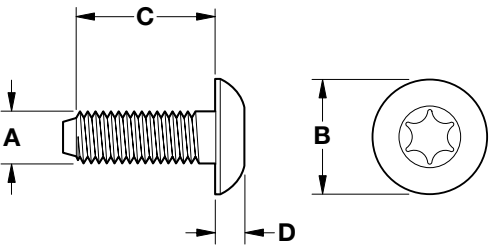
Part #	THD SIZE	A	B	C	NECK	COLOR
052021	1/4-20	.825	.250	.425	RIBBED	GRAY
052023	1/4-20	.825	.250	.425	RIBBED	YELLOW
052037	1/4-20	.825	.250	.425	RIBBED	WHITE
052097	5/16-18	1.100	.258	.455	RIBBED	GRAY
052086	5/16-18	1.100	.258	.455	RIBBED	WHITE
052096	5/16-18	1.100	.258	.455	BARBED	YELLOW
052038	5/16-18	1.100	.258	.455	BARBED	WHITE
052088	5/16-18	1.100	.258	.405	BARBED	WHITE
05238	5/16-18	1.100	.258	.625	PLAIN	GRAY

BOLTS



Part #	Description
05100	Bolt 1/4-20

Part #	Description	A	B	C
051048	Washer Head Bolt 1/4-20	.725	.165	.425
051049	Washer Head Bolt 1/4-20 FRP	.725	.165	.485
051088	Washer Head Bolt 5/16-18	.845	.188	.525
051095	Washer Head Bolt 5/16-18 FRP	.845	.188	.600

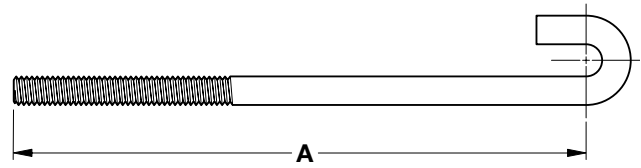
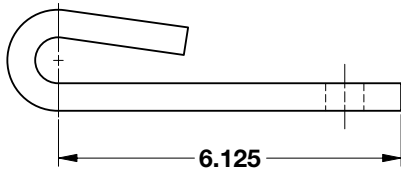
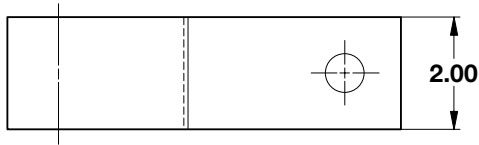


Part #	Description	A	B	C	D
051194	Bolt S/S 3/8-16 Truss Head	.375	.800	1.500	.200
051195	Bolt S/S 3/8-16 Truss Head	.375	.800	1.000	.200

Part #	Description	A	B	C	D
05530	Nylon Tappit	1/4	.750	.562	.125
05531	Nylon Tappit	1/4	1.000	.562	.125
05532	Nylon Tappit	1/4	1.500	.562	.125

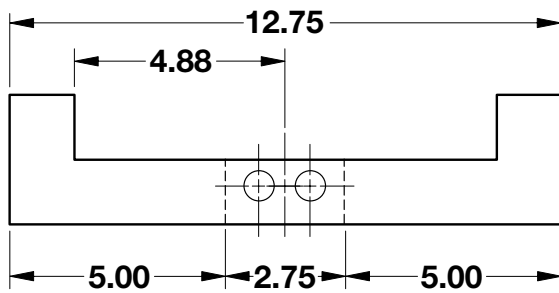
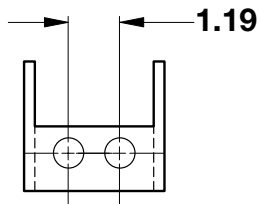
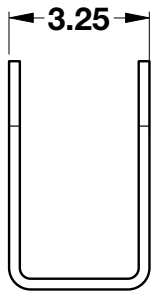
J BOLTS

All fastener dimensions are in inches unless otherwise noted.
Drawings not to scale.



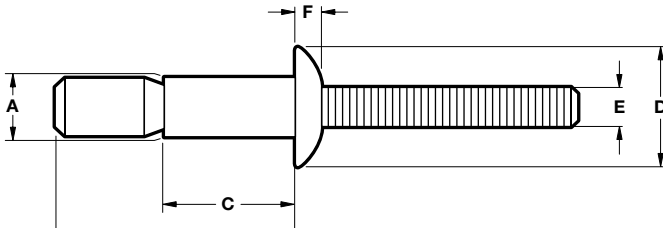
Part #	Description
0564101	J-Bolt Clip 6"
0564001	J-Bolt Clip 4"

Part #	Description	A
0565101	J-Bolt	13"
05651501	J-Bolt	15"
0565201	J-Bolt	18"



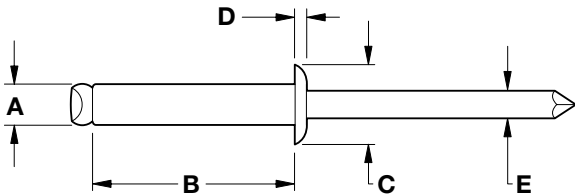
Part #	Description
05660	J-Bolt Top Bracket

MONOBOLTS



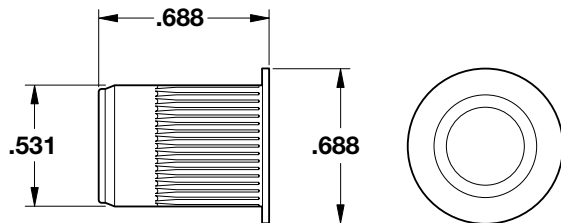
Part #	Nominal	A	B	C	D	E	F	GRIP RANGE	MATERIAL
055053	3/16	.193	.962	.556	.400	.120	.090	.064-.437	ST STL
055054	1/4	.260	1.181	.556	.530	.162	.117	.080-.375	ST STL
055056	1/4	.260	1.306	.681	.530	.162	.117	.080-.625	ST STL

RIVETS/POP RIVETS



Part #	Description	A	B	C	D	E	GRIP RANGE
05434	Pop Rivet	3/16	.700	.375	.060	.114	.376-.500
05440	Pop Rivet	1/4	.500	.500	.080	.151	.063-.250
05442	Pop Rivet	1/4	.875	.500	.080	.151	.501-.625
05443	Pop Rivet	1/4	1.000	.500	.080	.151	.626-.750
05450	Pop Rivet	1/4	1.250	.500	.080	.151	.751-1.00

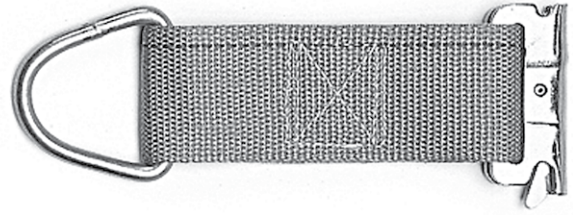
THREADED INSERT



Part #	Description
052135	Threaded Insert 3/8-16



Part #	Vendor #	Description
07910	FE8066-1	E-Bar Adjustable (85.0" – 94.7")
079101	FE8066-3	E-Bar Adjustable (90.2" – 100.0")



Part #	Vendor #	Description
079532	660001	Spring End, Rope Tie-Off for E and A Track



Part #	Vendor #	Description
07962	3606	Sliding Winch Track – 72"



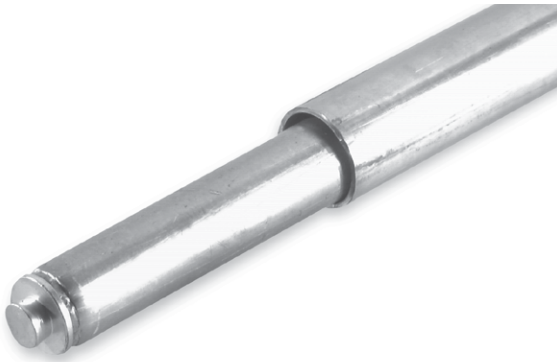
Part #	Vendor #	Description
07966	5820	Sliding Winch



Part #	Vendor #	Description
07983	423021	Winch Strap – 4" x 360"



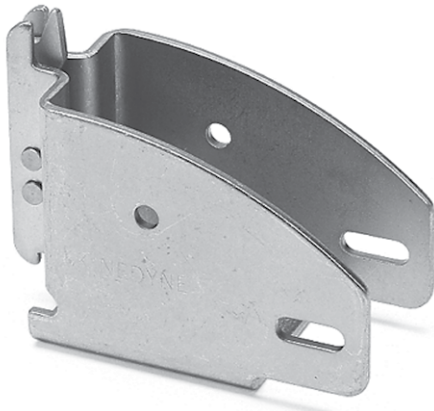
Part #	Vendor #	Description
079507	593021	Ratchet Strap Complete – 4" x 30"



Part #	Vendor #	Description
079111	1816-2	F-Bar, Round, Adjustable (92" – 106")
07912	1816-1	F-Bar, Round, Adjustable (79" – 93")



Part #	Vendor #	Description
07911	1818-1	F-Bar, Square, Adjustable (81" – 95")
079110	1818-2	F-Bar, Round, Adjustable (94" – 108")



Part #	Vendor #	Description
60414	1845	Standard Wood Beam Socket



Part #	Vendor #	Description
079112	FE7495-1	HD F-Bar, Square, Adjustable (81" – 95")
079113	FE7495-3	HD F-Bar, Round, Adjustable (90" – 104")



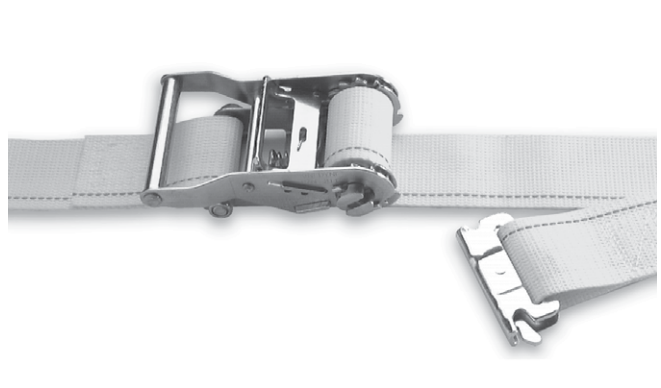
Part #	Vendor #	Description
60392	10088	Saf-T-Lok Bar



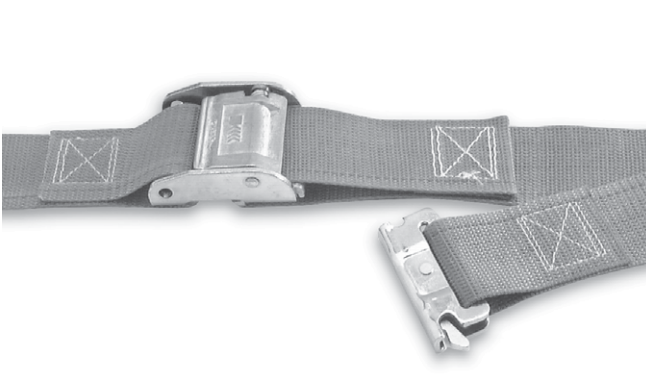
Part #	Vendor #	Description
07968	37030	Winch Bar



Part #	Vendor #	Description
07980	2005	Standard F-Track – 120"



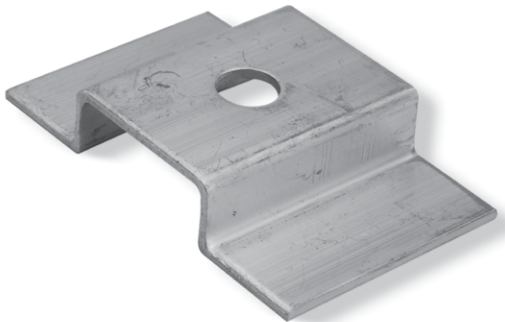
Part #	Vendor #	Description
07920	641201	Ratchet E Strap – 144"
07921	641601	Ratchet E Strap – 196"



Part #	Vendor #	Description
07926	651201	Cam Buckle E Strap – 144"
07927	651601	Cam Buckle E Strap – 196"
07928	652001	Cam Buckle E Strap – 240"



Part #	Description
219865	Apitong Tie Slats (.75" x 2.62" x 123.44")
219825	Apitong Tie Slats (.75" x 5.25" x 123.44")



Part #	Description
00511	Hat Slat Spacer



Part #	Description
07682	PLS Slat Spacer



Part #	Description
079752	Standard E Track – 5.06" x 120" - Galvanized
10175	Angle
10675	Splice PLT



Part #	Description
00699	Cast Steel, Cadmium Plated Boat Cleat



Part #	Description
07961	Tie Ring with Plastic Grommet



Part #	Description
61189	10" Tarp Strap – Maximum Stretch 14"
61190	15" Tarp Strap – Maximum Stretch 26"
61191	21" Tarp Strap – Maximum Stretch 36"
61192	31" Tarp Strap – Maximum Stretch 53"



Part #	Description
079808	F Track – Steel 90.38"

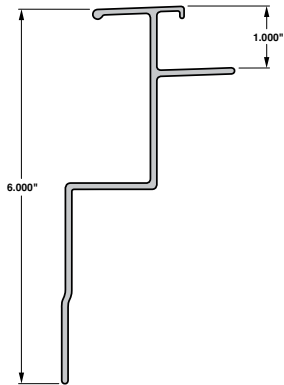


Part #	Description
079852	Flush Tie-Down

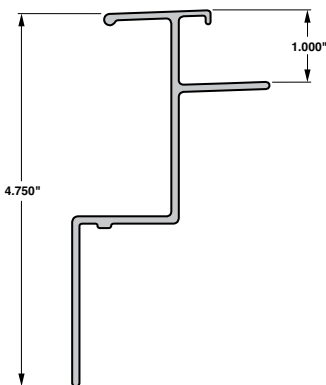


Part #	Description
07957	Bull Ring

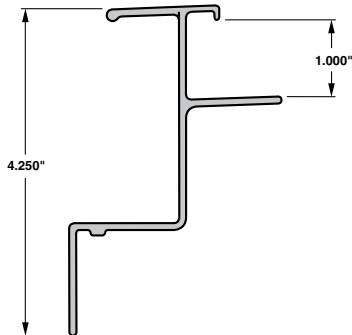
TOP RAILS



Top Rail GVSD
00015904 - 325"

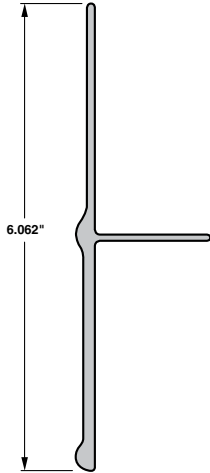


Top Rail GVFD
00033901 - 325"



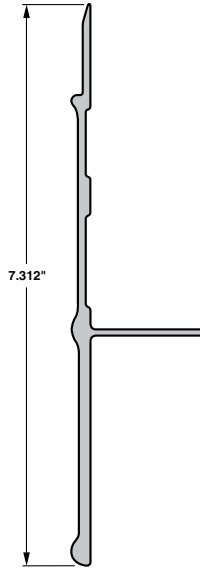
Top Rail 1.000" 1993-1997
000507 - 293"

BOTTOM RAILS



Bottom Rail GVFD 1997 and Newer

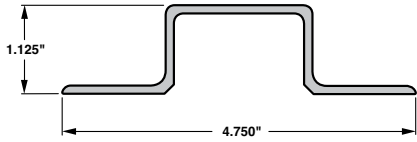
14038205 – 325" (unpunched)



Bottom Rail GVSD

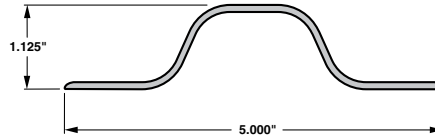
000785 – 301"
0010151 – 87" - Front

BODY TRIM COMPONENTS



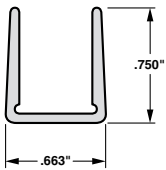
Rub Rail – Hat Style

004554 – 288"



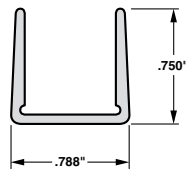
Rub Rail – Rounded Style

0045597 – 320"



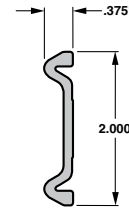
Edge Cap – For 3/8 Panel

00389 – 168"



Edge Cap – For 1/2 Panel

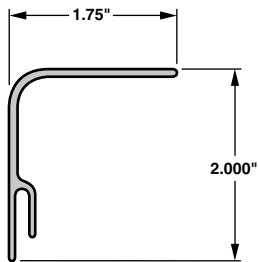
003895 – 168"



Rub Rail – Parcel Van

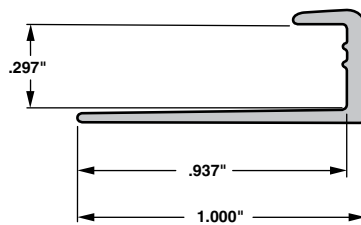
00446 – 192"

CONNECTORS AND SIDE POSTS



Reefer Cove Molding

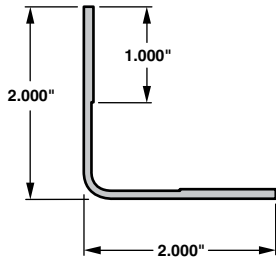
0040596 – 96"



J Molding

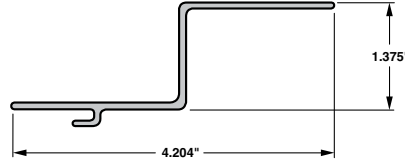
003951 – 96"

CONNECTORS AND SIDE POSTS



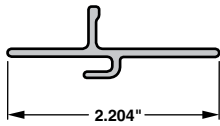
Aluminum Front Corner Post
– External Mini

141838 – 80"



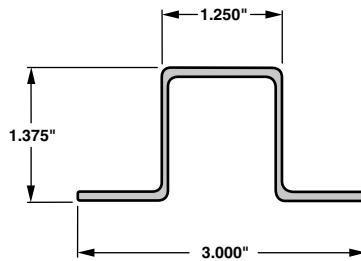
Connector Post GVSD

00165 – 112.31"



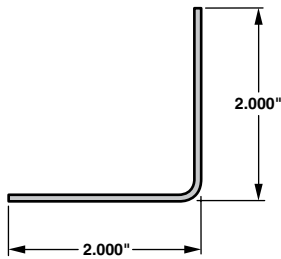
Side Connector GVFD

001483 – 112.31"



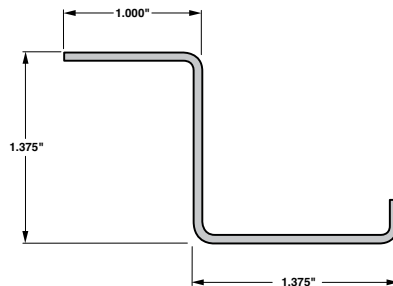
Hat Post

1422615 – 107" ALUM. HAT
A0000219 STEEL HAT



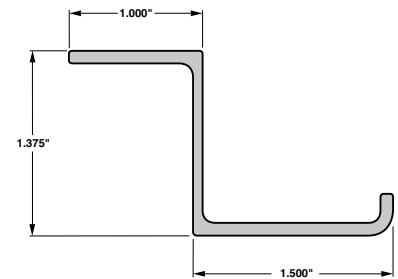
Galvanized Corner Post
Interior Mini

1204166 – 80"



Z Post – Steel GVSD

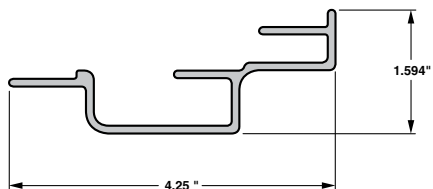
A0000119 – 107"



Z Post – Aluminum GVSD

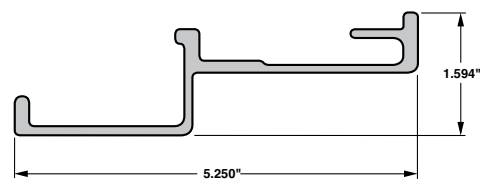
14211 – 109"

DOOR POSTS AND HEADERS



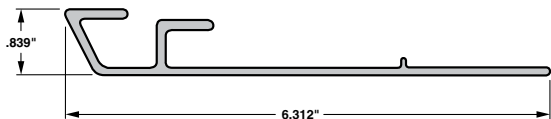
Side Door Header New
GVSD

1121583 - Standard Door
1121584 - 120"



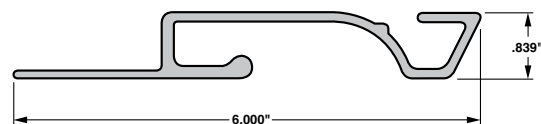
Side Door Post New
GVSD

14342021 – 109"



Side Door Post H/S
GVFD 108"

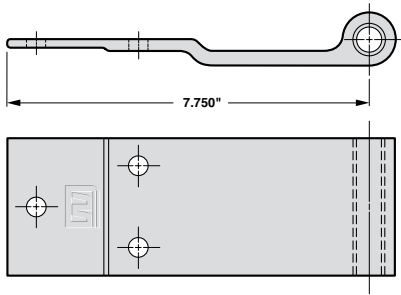
1428405 – 109"



Side Door Frame L/S
GVFD Current

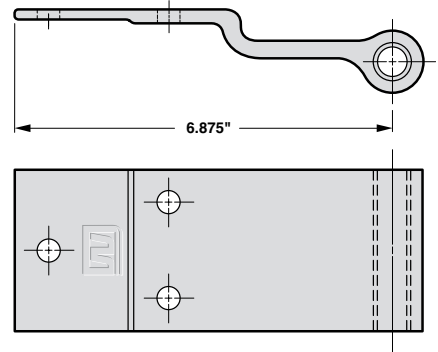
1428205 – 109"

DOOR COMPONENTS



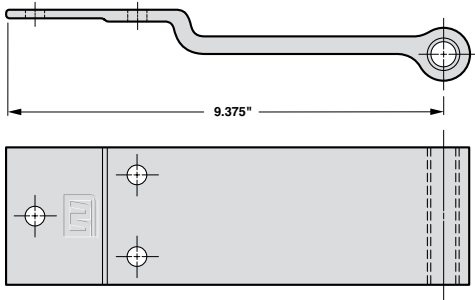
Lock Rod Strap

004186



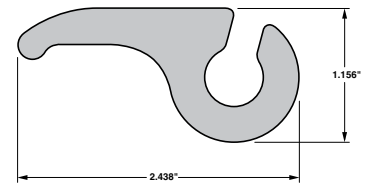
Side Door Hinge Strap

004187



Door Hinge Strap

004188



Side Door Lock Rod

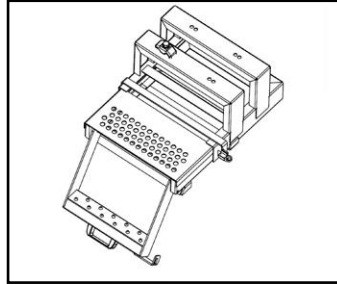
00317 – 60"

STEPS



Side Door Pullout Step w/o Platform (1 Step)

4560097473



Side Door Pullout Step w/ Platform (2 Steps)

4560097472



Side Door Folding Step w/o Platform (2 Steps)

4560097471



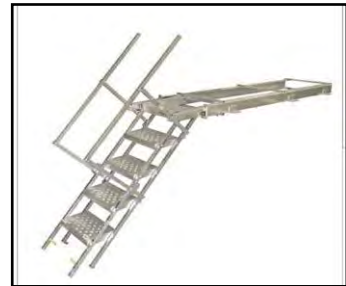
Side Door Pullout Step w/o Platform (2 Steps)

4560097479



Side Door Pullout Step w/ Platform (3 Steps)

456009747



Rear Sliding Ladder Step with Handrails (4 & 5 Steps)

(4) 4560097481
(5) 456009748

TOOLBOXES



Polypropylene 24"

(24.80" x 17.72" x 18.90") - 07864996



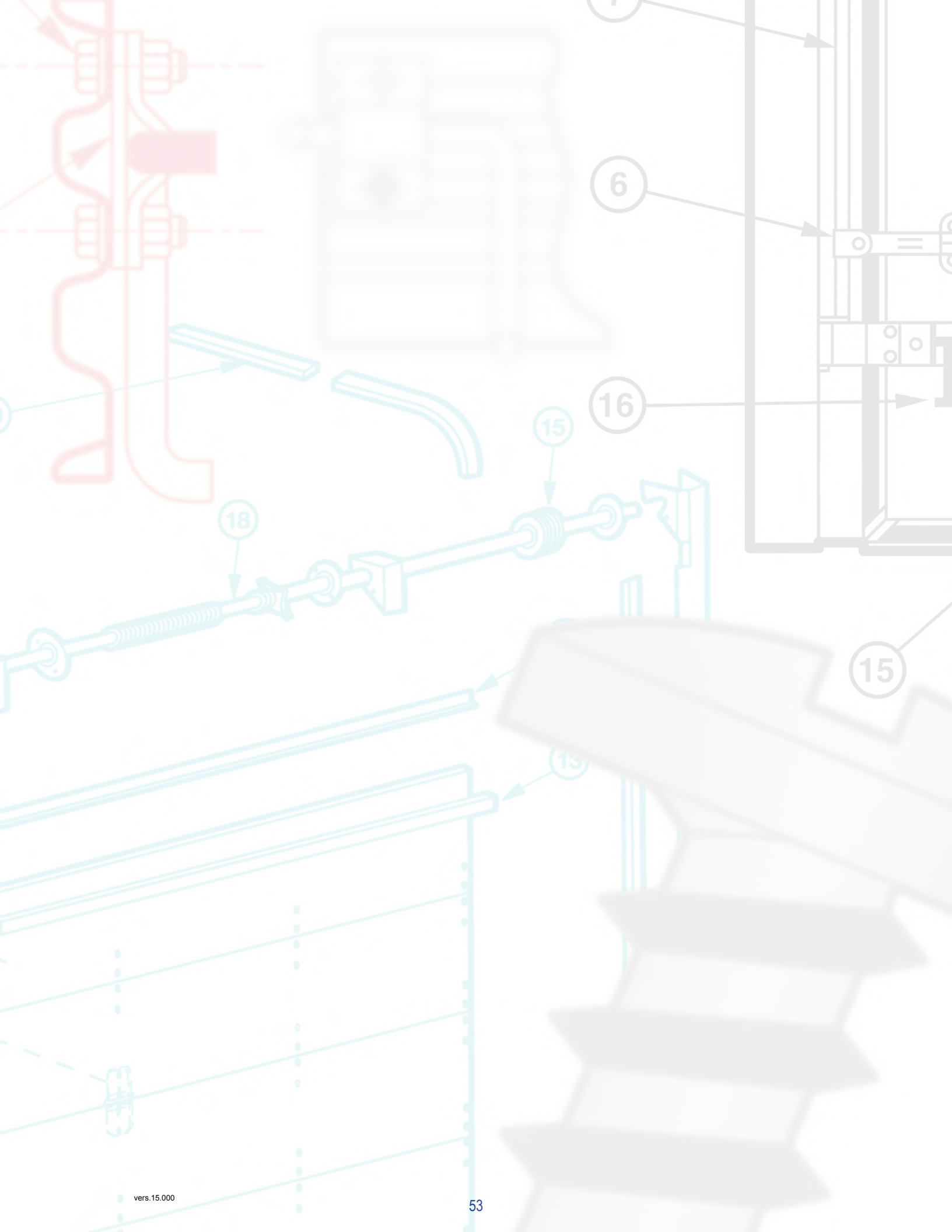
Polypropylene 40"

(40.55" x 19.68" x 17.91") - 07864994

SIDE GUARDS



LPD103	SD PROT 3 RL FOB 56-146"	MFH 27-43"
LPD105	SD PROT 3 RL FOB 56-146"	MFH 27" MAX
LPD113	SD PROT 3 RL FOB 150-182"	MFH 27-43"
LPD115	SD PROT 3 RL FOB 150-182"	MFH 27" MAX
LPD123	SD PROT 3 RL FOB 183-270"	MFH 27-43"
LPD125	SD PROT 3 RL FOB 183-270"	MFH 27" MAX





morgancorp.com

FOLLOW US

